

XDJ-700

**MULTI PLAYER
LECTEUR DE MULTI
MULTI-PLAYER
LETTORE MULTIPLO
MULTI-SPELER
MULTI REPRODUCTOR
MULTI LEITOR
МНОГОФУНКЦИОНАЛЬНЫЙ
ПРОИГРЫВАТЕЛЬ**

<http://pioneerdj.com/support/>

The Pioneer DJ support site shown above offers FAQs, information on software and various other types of information and services to allow you to use your product in greater comfort.

Le site de support DJ de Pioneer indiqué ci-dessus propose une FAQ, des informations sur le logiciel et divers types d'informations et de services qui permettent une utilisation plus confortable de ce produit.

Die oben gezeigte Pioneer DJ-Support-Website enthält häufig gestellte Fragen, Informationen über Software und andere wichtige Informationen und Dienste, die Ihnen helfen, Ihr Produkt optimal zu verwenden.

Il sito di supporto DJ Pioneer indicato qui sopra offre una sezione FAQ, informazioni sul software ed informazioni e servizi di vario tipo, per permettere un uso più confortevole dei nostri prodotti.

De bovengenoemde Pioneer DJ ondersteuningswebsite biedt een overzicht van de vaak gestelde vragen, informatie over software en allerlei andere soorten informatie en diensten die u in staat stellen dit product met meer gemak te gebruiken.

El sitio de asistencia Pioneer DJ mostrado arriba ofrece las preguntas frecuentes, información del software y varios otros tipos de información y servicios que le permitirán usar su producto con mayor confort.

O site de suporte da Pioneer DJ mostrado acima oferece FAQs, informações sobre o software e outros tipos de informações e serviços para permitir utilizar o produto com um maior conforto.

На указанном выше сайте поддержки Pioneer DJ содержатся раздел часто задаваемых вопросов, информация по программному обеспечению, а также различные другие типы информации и услуг, позволяющие использовать ваше изделие более лучшим образом.

<http://rekordbox.com/>

For various types of information and services regarding rekordbox™, see the Pioneer DJ website above.

Pour les différents types d'informations et de services concernant rekordbox™, consultez le site Pioneer DJ ci-dessus.

Weitere Informationen und Dienste bezüglich rekordbox™ finden Sie auf der oben angegebenen Pioneer DJ-Website.

Per quanto riguarda vari tipi di informazione e servizi riguardanti rekordbox™, vedere il sito Pioneer DJ menzionato qui sopra.

Zie de hierboven genoemde Pioneer DJ website voor allerlei soorten informatie en diensten met betrekking tot rekordbox™.

Para varios tipos de información y servicios acerca del rekordbox™, visite el sitio web de Pioneer DJ indicado arriba.

Para vários tipos de informações e serviços relativamente ao rekordbox™, consulte o site Web da Pioneer DJ acima.

Относительно различных типов информации и услуг относительно rekordbox™ смотрите вебсайт Pioneer DJ выше.

Operating Instructions (Quick Start Guide)

Mode d'emploi (Guide de démarrage rapide)

Bedienungsanleitung (Kurzanleitung)

Istruzioni per l'uso (Guida di avvio veloce)

Handleiding (Snelstartgids)

Manual de instrucciones (Guía de inicio rápido)

Manual de instruções (Guia de início rápido)

Инструкции по эксплуатации (Краткое руководство пользователя)



Thank you for buying this Pioneer DJ product. Please read through these operating instructions so you will know how to operate your model properly. After you have finished reading the instructions, put them away in a safe place for future reference. In some countries or regions, the shape of the power plug and power outlet may sometimes differ from that shown in the explanatory drawings. However the method of connecting and operating the unit is the same.

CAUTION

TO PREVENT THE RISK OF ELECTRIC SHOCK, DO NOT REMOVE COVER (OR BACK). NO USER-SERVICEABLE PARTS INSIDE. REFER SERVICING TO QUALIFIED SERVICE PERSONNEL.

D3-4-2-1-1_B1_En

WARNING

This equipment is not waterproof. To prevent a fire or shock hazard, do not place any container filled with liquid near this equipment (such as a vase or flower pot) or expose it to dripping, splashing, rain or moisture.

D3-4-2-1-3_A1_En

WARNING

To prevent a fire hazard, do not place any naked flame sources (such as a lighted candle) on the equipment.

D3-4-2-1-7a_A1_En

Operating Environment

Operating environment temperature and humidity: +5 °C to +35 °C (+41 °F to +95 °F); less than 85 %RH (cooling vents not blocked)

Do not install this unit in a poorly ventilated area, or in locations exposed to high humidity or direct sunlight (or strong artificial light).

D3-4-2-1-7c*_A2_En

VENTILATION CAUTION

When installing this unit, make sure to leave space around the unit for ventilation to improve heat radiation (at least 5 cm at rear, and 5 cm at each side).

D3-4-2-1-7d*_A1_En

This product satisfies electromagnetic noise regulations when it is connected to other equipment through shielded cables and connectors. Use only the furnished accessory connecting cables.

D44-8-2_A1_En



If you want to dispose this product, do not mix it with general household waste. There is a separate collection system for used electronic products in accordance with legislation that requires proper treatment, recovery and recycling.


Private households in the member states of the EU, in Switzerland and Norway may return their used electronic products free of charge to designated collection facilities or to a retailer (if you purchase a similar new one).

For countries not mentioned above, please contact your local authorities for the correct method of disposal.

By doing so you will ensure that your disposed product undergoes the necessary treatment, recovery and recycling and thus prevent potential negative effects on the environment and human health.

K058b_A1_En

CAUTION

The  switch on this unit will not completely shut off all power from the AC outlet. Since the power cord serves as the main disconnect device for the unit, you will need to unplug it from the AC outlet to shut down all power. Therefore, make sure the unit has been installed so that the power cord can be easily unplugged from the AC outlet in case of an accident. To avoid fire hazard, the power cord should also be unplugged from the AC outlet when left unused for a long period of time (for example, when on vacation).

D3-4-2-2a*_A1_En

When using this product, confirm the safety information shown on the bottom of the unit.

D3-4-2-2-4_B1_En

This product is for general household purposes. Any failure due to use for other than household purposes (such as long-term use for business purposes in a restaurant or use in a car or ship) and which requires repair will be charged for even during the warranty period.

K041_A1_En

POWER-CORD CAUTION

Handle the power cord by the plug. Do not pull out the plug by tugging the cord and never touch the power cord when your hands are wet as this could cause a short circuit or electric shock. Do not place the unit, a piece of furniture, etc., on the power cord, or pinch the cord. Never make a knot in the cord or tie it with other cords. The power cords should be routed such that they are not likely to be stepped on. A damaged power cord can cause a fire or give you an electrical shock. Check the power cord once in a while. When you find it damaged, ask your nearest service center or your dealer for a replacement.

S002*_A1_En

Before you start

How to read this manual

Thank you for buying this Pioneer DJ product.

Be sure to read both this leaflet and the operating instructions! Both documents include important information that you must understand before using this product.

After you have finished reading the instructions, put them away in a safe place for future reference.

- For instructions on acquiring the operating instructions, see *Acquiring this unit's Operating Instructions* (p. 3).

Features

This unit is a DJ player equipped with the technology of the Pioneer DJ's CDJ series, the world standard for club players. Full-fledged DJ performances can be made using tracks not only on USB devices and computers but also on mobile devices (smartphones, etc.). It is not only equipped with a wide range of features for DJ performances, including the PRO DJ LINK, quantize and beat sync functions, it also has a high reliability design and a panel layout providing high operability, thereby offering strong support for all types of DJ performances.

Acquiring this unit's Operating Instructions

Various instructions are sometimes provided as files in PDF format. Adobe® Reader® must be installed in order to view PDF format files.

1 Launch a web browser on the computer and access the Pioneer DJ support site below.

<http://pioneerdj.com/support/>

2 On the Pioneer DJ support site, click [Manuals] under [XDJ-700].

3 Click on the required language on the download page.

Downloading of the operating instructions begins.

What's in the box

- Power cord
- Audio cable × 1
- LAN cable × 1
- AC adapter × 1
- Warranty × 1
- Operating Instructions (Quick Start Guide) (This document) × 1

Preparing the software

Music management software rekordbox and driver software are not included.

To use rekordbox and the driver software, access the rekordbox site and Pioneer DJ Support site, and download the software.

- The user is responsible for preparing the computer, network devices and other elements of the Internet usage environment required for a connection to the Internet.

About rekordbox

rekordbox is a composite software that enables track management and DJ performances.

An excellent DJ performance can be achieved by using the music files managed by rekordbox together with this unit.

❖ Acquiring rekordbox (Mac/Windows)

1 Open your web browser on your computer, and access the rekordbox site.

<http://rekordbox.com/>

2 Click [Download] in the rekordbox site and download rekordbox from the download page.

- For inquiries on rekordbox (Mac/Windows), please see the support site indicated above.

❖ About rekordbox (iOS/Android)

Tracks managed by rekordbox (iOS/Android) can be played by connecting the mobile device on which rekordbox (iOS/Android) is installed via USB. For supported devices, see the Pioneer DJ website (<http://pioneerdj.com/support/>). For instructions on rekordbox (iOS/Android), see the rekordbox (iOS/Android) user's manual.

- For details on installing rekordbox (iOS/Android), see the Pioneer DJ website (<http://rekordbox.com/>).

About the driver software (Windows)

This driver software is an exclusive ASIO driver for outputting audio signals from the computer.

- There is no need to install the driver software when using Mac OS X.

❖ Obtaining the driver software

1 Launch a web browser on the computer and access the Pioneer DJ support site below.

<http://pioneerdj.com/support/>

2 Click [Software Download] under [XDJ-700] on the Pioneer DJ support site.

3 Click the icon of the driver software to download the driver software from the download page.

- For information on installing the driver software, see the Pioneer DJ support site.

Usable media

This unit is compatible with USB mass storage class USB devices such as mobile flash memory and digital audio player.

Supported file systems	FAT16, FAT32 and HFS+ (NTFS is not supported.)
------------------------	--

- Information such as cue points, loops points and hot cues can be stored via USB.
- Depending on the USB device you are using, you may not achieve the expected performance.
- There is no guarantee that all USB devices will operate on this unit.

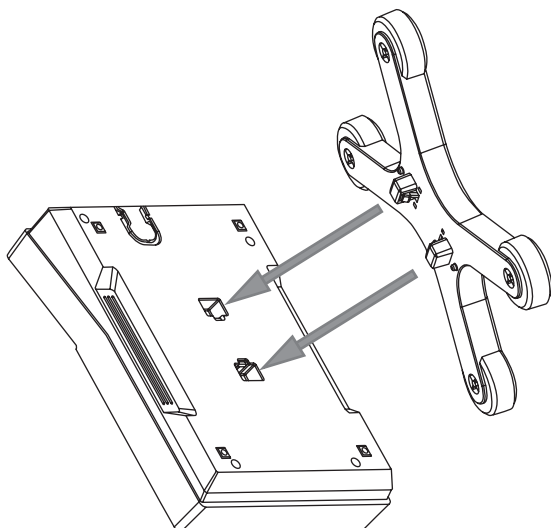
For more information, please refer to the operational instruction of this product published on the Pioneer DJ support site.

Attaching the stand

You can easily attach and remove the stand to/from this product. If using this unit placed side by side with previous DJ players or DJ mixers, you can align the operation panels at the same level by attaching the stand to this unit.

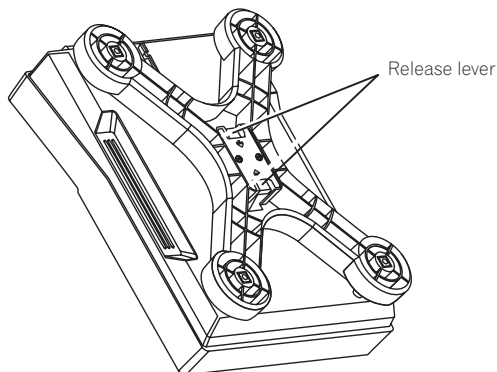
How to attach

- 1 Insert the protrusions on the stand into the guide holes on the bottom of this unit.
- 2 Push the stand until it clicks into place.
- 3 Check that the two release levers are firmly hooked on this unit and are not released.



How to remove

- 1 Move the two release levers on the bottom of the stand inward to release the lock.
- 2 Remove the stand.



CAUTION

You may drop the product if you release the lock of the release lever while the product is lifted. Hold the product tightly and remove the stand from it.

Connections

- Be sure to turn off the power and unplug the power cord from the power outlet whenever making or changing connections.
- Refer to the operating instructions for the component to be connected.
- Connect the power cord after all the connections between devices have been completed.

- When using a LAN cable for connection, be sure to use either the LAN cable included with this product or an STP (shielded twisted pair) cable.
- Do not disconnect the LAN cable when music files and/or information are being shared using PRO DJ LINK.

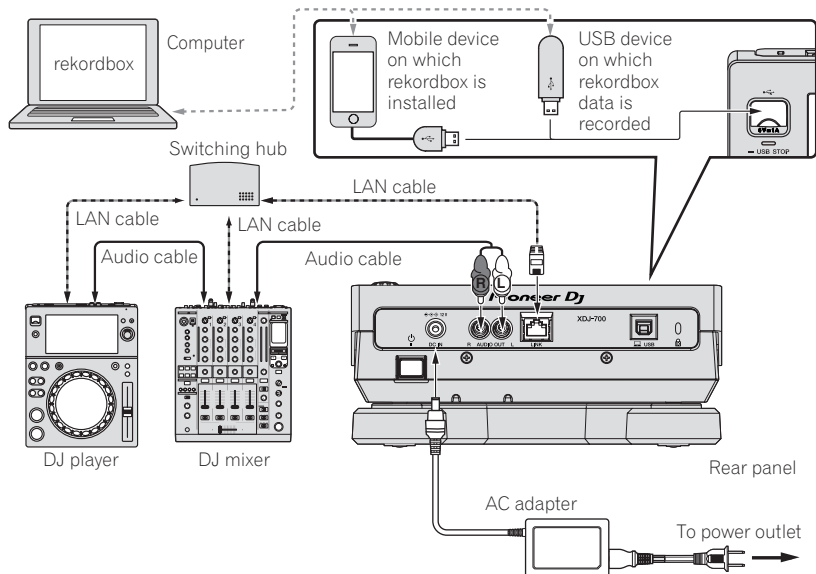
Basic style

Playback on this unit is performed mainly using tracks prepared with rekordbox installed on a computer.

- For instructions on operating rekordbox, see rekordbox (Mac/Windows)'s operating instructions. The rekordbox (Mac/Windows) operating instructions can be viewed from the rekordbox (Mac/Windows) [Help] menu.
- Also, for DJ players and DJ mixers, up to four PRO DJ LINK-compatible players can be connected with LAN cables (CAT5e) using PRO DJ LINK connections.
- A switching hub (commercially available) may be necessary, depending on the combination of models used. Use a switching hub of 100 Mbps or greater. Some switching hubs may not operate properly.
A switching hub (commercially available) is necessary to connect to a mixer equipped with only one LAN port. For mixers with enough LAN ports for all the DJ players and computers in the system, connect directly to the LAN ports on the mixer's rear panel, without using a hub.

PRO DJ LINK (USB Export)

- rekordbox music files and data can be exchanged with this unit using a memory device (flash memory, hard disk, etc.), eliminating the need to take a computer into the DJ booth. Such information as playlists, cues, loops and hot cues set in advance with rekordbox can be used for playback.



Cautions

In order to maximize the use of music file management functions of rekordbox, please match the player number with the channel of audio cable entered in the mixer.

If the player number is different, change the [PLAYER No.] setting on the [UTILITY] screen.

➡ For information on changing the settings of [UTILITY] screen, please refer to the operating instructions for this product published on the Pioneer DJ support site.

- When a storage device is connected to this unit, [PLAYER No.] is displayed in gray and cannot be changed. Disconnect the storage device or LAN cable to turn the link off, then change the setting.

Operation

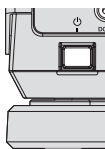
Turning the power on

1 Make all the connections, then plug the power cord into a power outlet.

➔ *Connections* (p.5)

2 Press the [⏻] switch.

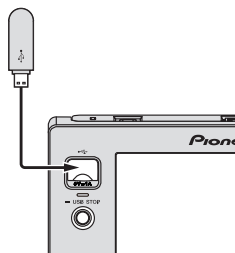
This unit's indicators light and the power turns on.



Connecting USB devices

1 Press the [⏻] switch to turn this unit's power on.

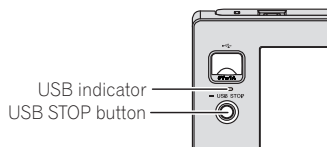
2 Connect the USB device to the USB device insertion slot.



Disconnecting USB devices

1 Press and hold the [USB STOP] button until the USB indicator stops flashing.

Do not remove the USB device or turn Off the power of the unit while the USB indicator is blinking. The management data in the unit may get deleted. Also, the USB device may become unreadable.



2 Disconnect the USB device.

Playing media connected to or inserted in this unit

1 Load the medium in this unit.

2 Touch [USB].

The tracks or folders are displayed on a list.



The contents of the media to be displayed on the main unit display can be switched.

- [USB]: Displays the contents of the connected USB device and mobile devices.
- When you touch [LINK], other music files in the DJ player will be displayed.
- When you touch [rekordbox], music files in rekordbox will be displayed.
- If the rekordbox library information was written on the USB device, the rekordbox library is displayed.
 - ➔ For information on library browsing of rekordbox, please refer to the operating instructions for this product published on the Pioneer DJ support site.

3 Turn the rotary selector.

Move the cursor and select the item.

- Press the rotary selector to move to a lower level in the folder. Press the [BACK] button to return to the level above.



4 Select the track and press the rotary selector.

When the track is loaded, the screen switches to the normal playback screen.

The medium on which the track is loaded flashes.

- ➔ For information on normal playback screen, please refer to the operating instructions for this product published on the Pioneer DJ support site.

For information on other operations, please refer to the operating instructions for this product published on the Pioneer DJ support site.

Additional information

Troubleshooting

- Incorrect operation is often mistaken for trouble or malfunction. If you think that there is something wrong with this component, check the points below and the [FAQ] for the [XDJ-700] on the Pioneer DJ support site. <http://pioneerdj.com/support/>
Sometimes the problem may lie in another component. Inspect the other components and electrical appliances being used. If the problem cannot be rectified, ask your nearest Pioneer authorized service center or your dealer to carry out repair work.
- This unit may not operate properly due to static electricity or other external influences. In this case, proper operation may be restored by turning the power off, waiting 1 minute, then turning the power back on.

Problem	Check	Remedy
File cannot be played.	Is the file copyright-protected (by DRM)?	Copyright-protected files cannot be played.
No sound is produced, or sound is distorted or noisy.	Are you operating the connected DJ mixer properly?	Check the operation of the DJ mixer.
	Is this unit placed near a TV?	Turn the TV's power off or install this unit and TV away from each other.
File information is not properly displayed.	Is [LANGUAGE] properly set?	Set [LANGUAGE] to the proper language.
	Is the information recorded in a language not supported by this unit?	When creating files using DJ software, etc., record the information in a language supported by this unit.
Track search operation takes too long.	Is the auto cue function activated?	Track searching may take some time when there are long silent sections between tracks.
	—	If track searching is not possible within 10 seconds, a cue point is set at the beginning of the track.
Back cue function does not work.	Is a cue point set?	Set a cue point.
Loop play function does not work.	Are loop points set?	Set loop points.
Settings are not stored in the memory.	Has the power been turned off directly after changing the setting?	After changing settings, wait at least 10 seconds before turning the power off.
USB device is not recognized.	Is the USB device properly connected?	Connect the device securely (all the way in).
	Is the USB device connected via a USB hub?	USB hubs cannot be used.
	Is the USB device supported by this unit?	This player only supports USB mass storage class devices. This player supports portable flash memory and digital audio playback devices.
	Is the file format supported by this unit?	Check the file format of the connected USB device. For the file formats supported by this unit, see <i>Usable media</i> on page 3.
	—	Turn the power off then back on.
Cue points or loops are not stored on a USB device.	Are you trying to store more points than the limit?	Ten cue points or loop points per track can be stored on a USB device. If you try to store more points than the limit, [CUE/LOOPPOINT FULL] is displayed and the points cannot be stored. In this case, delete some points before storing new ones.
	Is the USB device write-protected?	If the USB device is write-protected, [USB FULL] is displayed and the points cannot be stored. Disable the write-protection then store the cue or loop points again.
	Is there sufficient free space on the USB device?	If there is not enough free space on the USB device, [USB FULL] is displayed and the points cannot be stored. Free up some space then store the cue or loop points again.
Cue or loop points of tracks recorded on USB devices are not displayed.	Was the USB device properly stopped before it was disconnected the last time?	Points may not be displayed if the SD memory card/USB device is removed without performing the proper stopping procedure or if this unit's power is turned off. Make sure the USB indicator has stopped blinking before removing the USB device or turning off the power of the unit.
Playback does not start immediately after pressing the button to reloop or play in reverse.	Is the quantize function on?	When the quantize function is on, playback starts from the nearest beat position at the time the button is pressed. If you want the operation to be performed the instant the button is pressed, turn the quantize function off.
The playing address display is not displayed in the remaining time mode.	—	When playing files recorded in VBR, it may happen that the set cannot detect the length of the track immediately and that some time is required for the playing address display to appear.
Time is required to read USB devices (flash memory drives and hard discs).	Is there a large number of folders or files recorded on the USB device?	When there are many folders or files, some time may be required for loading.
	Are files other than music files stored on the USB device?	When files other than music files are stored in folders, time is required to read them as well. Do not store files or folders other than music files on the USB device.
Library browsing is not possible.	Is a medium on which library information is recorded loaded?	The library browse mode is only set when media on which library information is recorded are loaded. When a medium on which no library information is recorded is loaded, the folder browse mode is set.
[HISTORY] is not displayed.	Is a USB device loaded?	The [HISTORY] function can only be used for DJ players on which a USB device is loaded.
Nothing is displayed.	Is the auto standby function activated?	This unit is shipped with the auto standby function set to on. If you do not want to use the auto standby function, set [AUTO STANDBY] on the [UTILITY] menu to [OFF].

Problem	Check	Remedy
The scale is not displayed.	Is the track over 15 minutes long?	The scale is not displayed for tracks whose playing time is over 15 minutes.
PRO DJ LINK does not work well.	Are the player numbers properly set?	Set [PLAYER No.] to [AUTO] or to a number different from the number currently set.
	Is the LAN cable properly connected?	Connect the LAN cable properly to the [LINK] terminal.
	Is the switching hub's power turned on?	Turn the switching hub's power on.
	Is an unnecessary device connected to the switching hub?	Disconnect the unnecessary device from the switching hub.
There is no response when you touch the screen, or the response is bad. A position different from the actually touched location responds.	Calibration adjustment of touch display is deviating.	Adjust the touch display by using the [TOUCH DISPLAY CALIBRATION] settings in the [UTILITY] screen.

Error messages

When this unit cannot operate normally, an error code appears on the display. Check the table below and take the measures indicated. If an error code not shown on the table below is displayed, or if the same error code is displayed again after taking the indicated action, contact your store of purchase.

Error code	Error type	Description of error	Cause and action
E-8302	CANNOT PLAY TRACK(****)	Track data (files) in the USB cannot be read correctly.	The track data (file) may be corrupt. → Check whether the track (file) can be played on another player, etc., capable of playing the same formats as this unit.
E-8304 E-8305	UNSUPPORTED FILE FORMAT	Music files that cannot be played normally are loaded.	Format is wrong. → Replace with music files in the proper format.

Cleaning the touch display

Do not use organic solvents, acids or alkalis for cleaning the surface of the touch display. Wipe with a dry soft cloth or a cloth immersed in neutral detergent and squeezed properly.

About trademarks and registered trademarks

- Pioneer DJ is a trademark of the PIONEER CORPORATION and is used under license. rekordbox is a registered trademark of Pioneer DJ Corporation.
- Windows is a registered trademark of Microsoft Corporation in the United States and other countries.
- Adobe and Reader are either registered trademarks or trademarks of Adobe Systems Incorporated in the United States and/or other countries.
- ASIO is a trademark of Steinberg Media Technologies GmbH.
- "Made for iPod" and "Made for iPhone" mean that an electronic accessory has been designed to connect specifically to iPod or iPhone, respectively, and has been certified by the developer to meet Apple performance standards. Apple is not responsible for the operation of this device or its compliance with safety and regulatory standards. Please note that the use of this accessory with iPod or iPhone may affect wireless performance.



- iPod, iPhone, Mac, Mac OS are trademarks of Apple Inc., registered in the U.S. and other countries.
- Android™ is a trademark of Google Inc.
- iOS is a trademark on which Cisco holds the trademark right in the US and certain other countries.
- This software is based in part on the work of the Independent JPEG Group.

About using MP3 files

This product has been licensed for nonprofit use. This product has not been licensed for commercial purposes (for profit-making use), such as broadcasting (terrestrial, satellite, cable or other types of broadcasting), streaming on the Internet, Intranet (a corporate network) or other types of networks or distributing of electronic information (online digital music distribution service). You need to acquire the corresponding licenses for such uses. For details, see <http://www.mp3licensing.com>.

- The names of companies and products mentioned herein are the trademarks of their respective owners.

Cautions on copyrights

rekordbox restricts playback and duplication of copyright-protected music contents.

- When coded data, etc., for protecting the copyright is embedded in the music contents, it may not be possible to operate the program normally.
- When rekordbox detects that coded data, etc., for protecting the copyright is embedded in the music contents, processing (playback, reading, etc.) may stop.

Recordings you have made are for your personal enjoyment and according to copyright laws may not be used without the consent of the copyright holder.

- Music recorded from CDs, etc., is protected by the copyright laws of individual countries and by international treaties. It is the full responsibility of the person who has recorded the music to ensure that it is used legally.
- When handling music downloaded from the Internet, etc., it is the full responsibility of the person who has downloaded the music to ensure that it is used in accordance with the contract concluded with the download site.

Specifications

AC adapter

Power.....	AC 100 V to 240 V, 50 Hz/60 Hz
Rated current.....	0.6 A
Rated output.....	DC 12 V, 2 A
Power consumption (standby).....	0.5 W

General – Main Unit

Power consumption.....	DC 12 V, 1200 mA
Main unit weight.....	2.0 kg
(When not attached with the stand).....	1.7 kg
External dimensions.....	238 mm (W) × 106.3 mm (H) × 307.8 mm (D)
(When not attached with the stand).....	238 mm (W) × 78.8 mm (H) × 307.8 mm (D)
Tolerable operating temperature.....	+5 °C to +35 °C
Tolerable operating humidity.....	5 % to 85 % (no condensation)

Analog audio output (AUDIO OUT L/R)

Output terminals.....	RCA terminal
Output Level.....	2.0 Vrms (1 kHz)
Frequency response.....	4 Hz to 20 kHz
S/N ratio.....	115 dB
Total harmonic distortion.....	0.003 %

USB downstream section (USB)

Port.....	Type A
Power supply.....	5 V/1 A or less

USB upstream section (USB)

Port.....	Type B
-----------	--------

LAN (PRO DJ LINK)

Rating.....	100Base-TX
-------------	------------

Main display

Display type.....	Active matrix TFT liquid crystal display (LCD)
Supported languages.....	18 languages

- The specifications and design of this product are subject to change without notice.
- © 2015 Pioneer DJ Corporation. All rights reserved.

Nous vous remercions d'avoir acquis un produit Pioneer DJ. Veuillez lire attentivement ce mode d'emploi afin de connaître la manière d'utiliser l'appareil comme il convient. Cela fait, conservez le mode d'emploi de façon à pouvoir vous y référer en cas de nécessité. Dans certains pays ou certaines régions, la forme de la fiche et de la prise d'alimentation est un peu différente de ce qui est montré dans les illustrations. Toutefois, l'appareil se raccorde et fonctionne de la même façon.

ATTENTION

POUR ÉVITER TOUT RISQUE D'ÉLECTROCUTION, NE PAS ENLEVER LE COUVERCLE (NI LE PANNEAU ARRIÈRE). AUCUNE PIÈCE RÉPARABLE PAR L'UTILISATEUR NE SE TROUVE À L'INTÉRIEUR. CONFIER TOUT ENTRETIEN À UN PERSONNEL QUALIFIÉ UNIQUEMENT.

D3-4-2-1-1_B1_Fr

AVERTISSEMENT

Cet appareil n'est pas étanche. Pour éviter les risques d'incendie et de décharge électrique, ne placez près de lui un récipient rempli d'eau, tel qu'un vase ou un pot de fleurs, et ne l'exposez pas à des gouttes d'eau, des éclaboussures, de la pluie ou de l'humidité.

D3-4-2-1-3_A1_Fr

AVERTISSEMENT

Pour éviter les risques d'incendie, ne placez aucune flamme nue (telle qu'une bougie allumée) sur l'appareil.

D3-4-2-1-7a_A1_Fr

PRÉCAUTION DE VENTILATION

Lors de l'installation de l'appareil, veillez à laisser un espace suffisant autour de ses parois de manière à améliorer la dissipation de chaleur (au moins 5 cm à l'arrière et 5 cm de chaque côté).

D3-4-2-1-7d*_A1_Fr

Lorsque vous utilisez ce produit, vérifiez les informations concernant la sécurité sous l'appareil.

D3-4-2-2-4_B1_Fr


Milieu de fonctionnement

Température et humidité du milieu de fonctionnement : De +5 °C à +35 °C (de +41 °F à +95 °F) ; Humidité relative inférieure à 85 % (orifices de ventilation non obstrués)

N'installez pas l'appareil dans un endroit mal ventilé ou un lieu soumis à une forte humidité ou en plein soleil (ou à une forte lumière artificielle).

D3-4-2-1-7c*_A1_Fr

ATTENTION

L'interrupteur  de cet appareil ne coupe pas complètement celui-ci de sa prise secteur. Comme le cordon d'alimentation fait office de dispositif de déconnexion du secteur, il devra être débranché au niveau de la prise secteur pour que l'appareil soit complètement hors tension. Par conséquent, veillez à installer l'appareil de telle manière que son cordon d'alimentation puisse être facilement débranché de la prise secteur en cas d'accident. Pour éviter tout risque d'incendie, le cordon d'alimentation sera débranché au niveau de la prise secteur si vous prévoyez une période prolongée de non utilisation (par exemple avant un départ en vacances).

D3-4-2-2-2a*_A1_Fr

Ce produit est destiné à une utilisation domestique générale. Toute panne due à une utilisation autre qu'à des fins privées (comme une utilisation à des fins commerciales dans un restaurant, dans un autocar ou sur un bateau) et qui nécessite une réparation sera aux frais du client, même pendant la période de garantie.

K041_A1_Fr

NOTE IMPORTANTE SUR LE CÂBLE D'ALIMENTATION

Tenir le câble d'alimentation par la fiche. Ne pas débrancher la prise en tirant sur le câble et ne pas toucher le câble avec les mains mouillées. Cela risque de provoquer un court-circuit ou un choc électrique. Ne pas poser l'appareil ou un meuble sur le câble. Ne pas pincer le câble. Ne pas faire de noeud avec le câble ou l'attacher à d'autres câbles. Les câbles d'alimentation doivent être posés de façon à ne pas être écrasés. Un câble abîmé peut provoquer un risque d'incendie ou un choc électrique. Vérifier le câble d'alimentation de temps en temps. Contacter le service après-vente le plus proche ou le revendeur pour un remplacement.

S002*_A1_Fr

Ce produit respecte la réglementation en matière d'interférences électromagnétiques lorsqu'il est raccordé à d'autres appareils par des câbles et connecteurs blindés.

N'utilisez que les câbles de liaison fournis en accessoires.

D44-8-2_A1_Fr



Si vous souhaitez vous débarrasser de cet appareil, ne le mettez pas à la poubelle avec vos ordures ménagères. Il existe un système de collecte séparé pour les appareils électroniques usagés, qui doivent être récupérés, traités et recyclés conformément à la législation.

Les habitants des états membres de l'UE, de Suisse et de Norvège peuvent retourner gratuitement leurs appareils électroniques usagés aux centres de collecte agréés ou à un détaillant (si vous rachetez un appareil similaire neuf).

Dans les pays qui ne sont pas mentionnés ci-dessus, veuillez contacter les autorités locales pour savoir comment vous pouvez vous débarrasser de vos appareils.

Vous garantirez ainsi que les appareils dont vous vous débarrassez sont correctement récupérés, traités et recyclés et préviendrez de cette façon les impacts néfastes possibles sur l'environnement et la santé humaine.

K058b_A1_Fr

Avant de commencer

Comment lire ce manuel

Merci d'avoir acheté ce produit Pioneer DJ.

Prière de lire cette brochure et le mode d'emploi ! Les deux documents contiennent des informations importantes qui doivent être comprises avant d'utiliser ce produit.

Cela fait, conservez le mode d'emploi de façon à pouvoir vous y référer en cas de nécessité.

- Pour les instructions sur l'acquisition du mode d'emploi, reportez-vous à *Acquisition du Mode d'emploi de cet appareil* (p. 11).

Caractéristiques

Cet appareil est un lecteur DJ équipé de la technologie de la série CDJ de Pioneer DJ, la référence mondiale en matière de lecteurs pour disco-thèques. De véritables prestations DJ peuvent être réalisées à partir de morceaux enregistrés non seulement sur des dispositifs USB et des ordinateurs mais aussi sur des dispositifs portables (smartphones, tablettes, etc.). Il présente non seulement une grande variété de fonctionnalités, parmi lesquelles les fonctions PRO DJ LINK, de quantification et de synchronisation des temps, mais aussi une conception extrêmement fiable et une disposition du panneau de commande facilitant les manipulations, et s'adapte ainsi à tous les types de prestations DJ.

Acquisition du Mode d'emploi de cet appareil

Les différents modes d'emploi sont parfois fournis sous forme de fichiers PDF. Adobe® Reader® doit être installé pour pouvoir consulter les fichiers au format PDF.

1 Lancez votre navigateur web sur l'ordinateur et accédez au site de support DJ Pioneer suivant.

<http://pioneerdj.com/support/>

2 Sur le site de support DJ de Pioneer, cliquez sur [Manuals] dans [XDJ-700].

3 Cliquez sur la langue souhaitée sur la page de téléchargement.

Le téléchargement du mode d'emploi commence.

Contenu du carton d'emballage

- Cordon d'alimentation
- Câble audio × 1
- Câble LAN × 1
- Adaptateur secteur × 1
- Garantie × 1
- Mode d'emploi (Guide de démarrage rapide) (le présent document) × 1

Préparation du logiciel

Le logiciel de gestion musicale rekordbox et le pilote logiciel ne sont pas inclus.

Pour utiliser rekordbox et le pilote logiciel, accédez au site rekordbox et au site de support Pioneer DJ puis téléchargez le logiciel.

- Les préparatifs concernant l'ordinateur, les dispositifs réseau et l'environnement Internet nécessaires à la connexion Internet sont du ressort de l'utilisateur.

À propos de rekordbox

rekordbox est un logiciel composite permettant la gestion des morceaux et des performances DJ.

D'excellentes performances DJ peuvent être obtenues en utilisant les fichiers musicaux gérés par rekordbox avec cet appareil.

❖ Acquisition rekordbox (Mac/Windows)

1 Ouvrez votre navigateur Web sur votre ordinateur et accédez au site rekordbox.

<http://rekordbox.com/>

2 Cliquez sur [Download] dans le site rekordbox et téléchargez rekordbox depuis la page de téléchargement.

- Pour toute demande d'informations au sujet de rekordbox (Mac/Windows), veuillez consulter le site d'assistance indiqué ci-dessus.

❖ À propos de rekordbox (iOS/Android)

En raccordant via le port USB le dispositif portable sur lequel rekordbox (iOS/Android) est installé, vous pouvez lire les morceaux gérés par rekordbox (iOS/Android). Pour les dispositifs pris en charge, consultez le site Pioneer DJ (<http://pioneerdj.com/support/>). Pour les instructions sur rekordbox (iOS/Android), reportez-vous au mode d'emploi de rekordbox (iOS/Android).

- Pour le détail sur l'installation de rekordbox (iOS/Android), consultez le site Pioneer DJ (<http://rekordbox.com/>).

À propos du pilote (Windows)

Ce logiciel est un pilote ASIO prévu exclusivement pour transmettre des signaux audio de l'ordinateur.

- Il n'est pas nécessaire d'installer le pilote dans le cas de Mac OS X.

❖ Obtention du pilote

1 Lancez votre navigateur web sur l'ordinateur et accédez au site de support DJ Pioneer suivant.

<http://pioneerdj.com/support/>

2 Cliquez sur [Software Download] dans [XDJ-700] sur le site de support DJ de Pioneer.

3 Cliquez sur l'icône du pilote pour télécharger le pilote depuis la page de téléchargement.

- Pour plus d'informations sur l'installation du pilote logiciel, rendez-vous sur le site de support Pioneer DJ.

Support utilisable

Cet appareil est compatible avec les dispositifs USB de stockage de masse les mémoires flash mobiles et les lecteurs audio numériques.

Systèmes de fichiers pris en charge : FAT16, FAT32 et HFS+ (NTFS n'est pas pris en charge.)

- Les informations telles que les points de repère, les points de boucle et les repères instantanés peuvent être enregistrées via USB.
- Selon le dispositif USB utilisé, les performances souhaitées peuvent ne pas être obtenues.
- Il n'est pas garanti que toutes les dispositifs USB fonctionneront sur cet appareil.

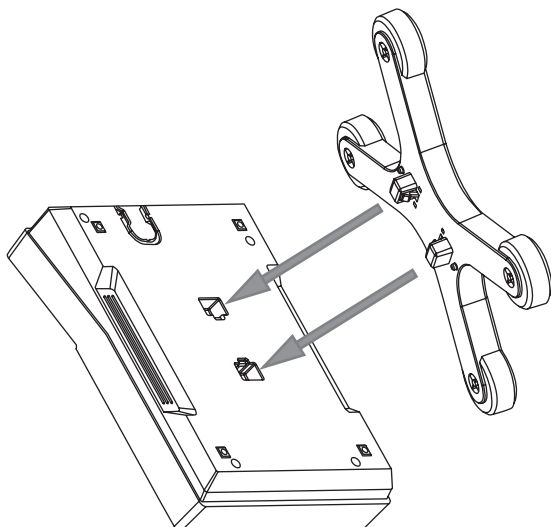
Pour plus d'informations, veuillez consulter le mode d'emploi de ce produit publié sur le site de support Pioneer DJ.

Montage du support

Vous pouvez aisément monter le support sur ce produit ou le démonter. Si vous utilisez cet appareil en le disposant à côté de lecteurs DJ ou de tables de mixage DJ de modèles précédents, vous pouvez aligner les panneaux de commande au même niveau en montant le support sur cet appareil.

Montage

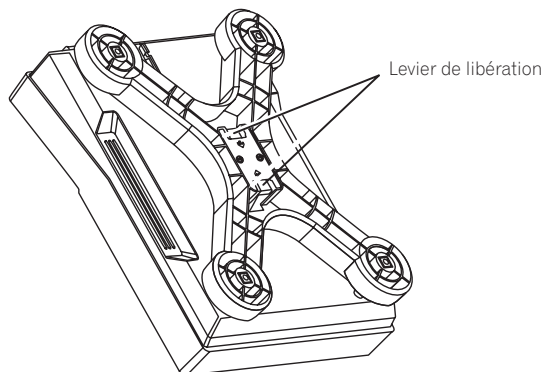
- 1 Insérez les protubérances présentes sur le support dans les trous de guidage qui se trouvent sur le dessous de cet appareil.**
- 2 Poussez sur le support jusqu'à ce qu'il se verrouille en place.**
- 3 Vérifiez que les deux leviers de libération sont fermement accrochés à cet appareil et qu'ils ne sont pas libérés.**



Démontage

- 1 Déplacez les deux leviers de libération sur le dessous du support vers l'intérieur pour déverrouiller.**

2 Retirez le support.



ATTENTION

Le produit risque de tomber si vous déverrouillez le levier de libération alors que le produit est soulevé. Tenez bien le produit et retirez le support de celui-ci.

Raccordements

- Veillez à toujours éteindre les appareils et à débrancher le cordon d'alimentation de la prise secteur avant de raccorder un appareil ou de changer les liaisons.
 - Reportez-vous au mode d'emploi de l'appareil devant être raccordé.
 - Lorsque tous les appareils ont été raccordés, vous pouvez brancher le cordon d'alimentation.
- Lorsque vous utilisez un câble LAN pour la connexion, veillez à utiliser soit le câble LAN fourni avec ce produit soit un câble STP (blindé à fils torsadés).
 - Ne débranchez pas le câble LAN lorsque des fichiers de musique et/ou des informations sont partagés avec PRO DJ LINK.

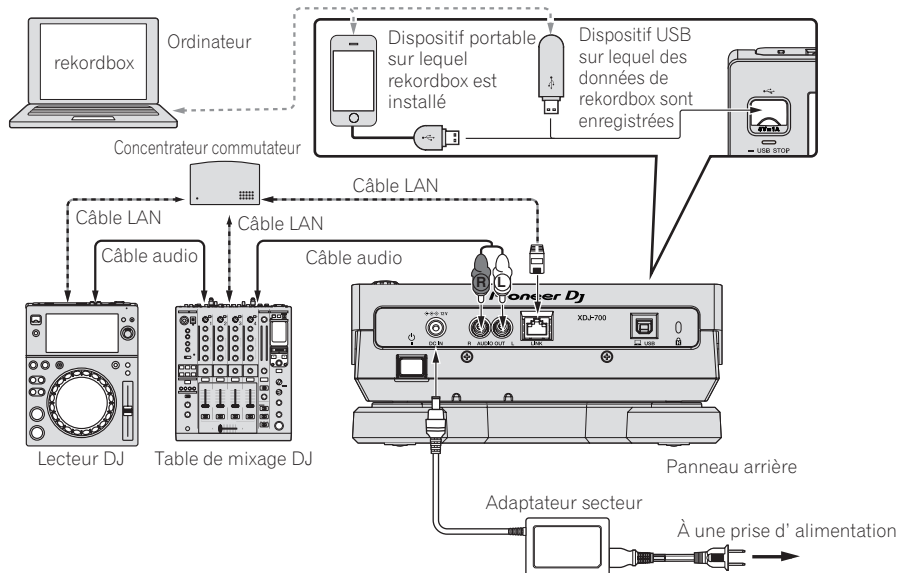
Style de base

Pour la lecture sur cet appareil, il faut utiliser principalement des morceaux préparés à l'avance dans rekordbox sur l'ordinateur.

- Pour les instructions sur le fonctionnement de rekordbox, reportez-vous au mode d'emploi de rekordbox (Mac/Windows). Le mode d'emploi de rekordbox (Mac/Windows) peut être affiché depuis le menu rekordbox (Mac/Windows) [Help].
- Quant aux lecteurs DJ et aux tables de mixage DJ, en tout quatre lecteurs compatibles PRO DJ LINK peuvent être raccordés à l'aide de câbles LAN (CAT5e) via les liaisons PRO DJ LINK.
- Un concentrateur commutateur (en vente dans le commerce) peut s'avérer nécessaire, selon les modèles utilisés ensemble. Utilisez un concentrateur commutateur de 100 Mbps ou plus. Certains concentrateurs-commutateurs peuvent ne pas fonctionner correctement. Un concentrateur commutateur (en vente dans le commerce) est nécessaire pour se raccorder à une table de mixage pourvue d'un port LAN seulement. Si la table de mixage présente suffisamment de ports LAN pour tous les lecteurs DJ et les ordinateurs du système, raccordez ceux-ci directement aux ports LAN du panneau arrière de la table de mixage sans concentrateur commutateur.

PRO DJ LINK (Exportation USB)

- Les fichiers de musique et les données rekordbox pouvant être échangés avec cet appareil à l'aide d'une mémoire (mémoire flash, disques durs, etc.), il est inutile d'apporter son ordinateur dans la cabine DJ. Les informations, comme les listes de lecture, repères, boucles et points instantanés, préparées à l'avance dans rekordbox peuvent être utilisées pour la lecture.



Attention

Afin de maximiser l'utilisation des fonctions de gestion des fichiers musicaux de rekordbox, veuillez faire correspondre le numéro du lecteur avec le canal du câble audio entré dans le mélangeur.

Si le numéro de lecteur est différent, changez le réglage de **[PLAYER No.]** sur l'écran **[UTILITY]**.

➔ Pour plus d'informations sur le changement des réglages de l'écran **[UTILITY]**, veuillez consulter le mode d'emploi de ce produit publié sur le site de support Pioneer DJ.

- Quand un dispositif de stockage est raccordé à cet appareil, **[PLAYER No.]** apparaît en gris et ne peut pas être changé. Débranchez le dispositif de stockage ou le câble LAN pour couper la liaison, puis changez le réglage.

Fonctionnement

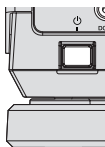
Mise sous tension

1 Après avoir effectué tous les raccordements, branchez le cordon d'alimentation sur une prise murale.

➔ Raccordements (p.13)

2 Appuyez sur le commutateur [⏻].

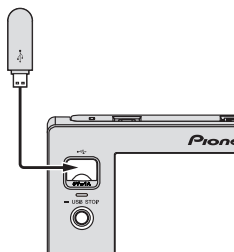
Les indicateurs de cet appareil s'allument et l'appareil se met sous tension.



Connexion d'un dispositif USB

1 Appuyez sur le commutateur [⏻] pour mettre cet appareil sous tension.

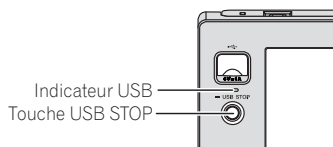
2 Insérez le dispositif USB dans la fente d'insertion du dispositif USB.



Déconnexion d'un dispositif USB

1 Appuyez et maintenez le bouton [USB STOP] enfoncé jusqu'à ce que l'indicateur USB arrête de clignoter.

Ne retirez pas le dispositif USB et n'éteignez pas l'appareil pendant que l'indicateur USB clignote. Les données de gestion de l'appareil peuvent être supprimées. Le dispositif USB peut également devenir illisible.



2 Débranchez le dispositif USB.

Lecture d'un support raccordé à ou inséré dans cet appareil

1 Insérez le support dans cet appareil.

2 Touchez [USB].

Les morceaux ou dossiers apparaissent dans une liste.



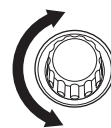
Le contenu du support à afficher sur l'afficheur de l'appareil principal peut être changé.

- [USB] : Affiche le contenu du dispositif USB connecté et des dispositifs portables.
- Si vous touchez [LINK], les autres fichiers musicaux du lecteur DJ seront affichés.
- Si vous touchez [rekordbox], les fichiers musicaux dans rekordbox seront affichés.
- Si les informations de la bibliothèque rekordbox ont été inscrites sur le dispositif USB, la bibliothèque rekordbox apparaît.
➔ Pour plus d'informations sur la navigation dans la bibliothèque de rekordbox, veuillez consulter le mode d'emploi de ce produit publié sur le site de support Pioneer DJ.

3 Tournez le sélecteur rotatif.

Déplacez le curseur et sélectionnez l'élément.

- Appuyez sur le sélecteur rotatif pour avancer à une couche inférieure du dossier. Appuyez sur la touche [BACK] pour revenir à la couche précédente.



4 Sélectionnez le morceau puis appuyez sur le sélecteur rotatif.

Lorsque le morceau est chargé, l'écran de lecture normal réapparaît.

Le support sur lequel le morceau est chargé clignote.

- ➔ Pour plus d'informations sur l'écran de lecture normale, veuillez consulter le mode d'emploi de ce produit publié sur le site de support Pioneer DJ.

Pour plus d'informations sur les autres fonctions, veuillez consulter le mode d'emploi de ce produit publié sur le site de support Pioneer DJ.

Informations supplémentaires

En cas de panne

- Une erreur de commande est souvent prise pour une anomalie de fonctionnement ou une panne. S'il vous semble que quelque chose est anormal avec cet appareil, vérifiez les points suivants et les **[FAQ]** du **[XDJ-700]** sur le site de support DJ de Pioneer.
<http://pioneerdj.com/support/>
Parfois, le problème peut provenir d'un autre composant. Examinez les autres composants et les appareils électriques utilisés. Si le problème ne peut pas être résolu, contactez votre service après-vente agréé Pioneer ou votre revendeur pour une réparation.
- De l'électricité statique ou des influences externes ont peut être dérégulé cet appareil. Dans ce cas, il est possible de faire fonctionner à nouveau l'appareil en l'éteignant, puis rallumant 1 minute plus tard.

Problème	Vérification	Solution
Le fichier ne peut pas être lu.	Est-ce que le fichier est protégé (par le système DRM) ?	Les fichiers protégés contre la copie ne peuvent pas être lus.
Aucun son produit ou son déformé ou parasité.	Est-ce que la table de mixage DJ raccordée fonctionne correctement ?	Assurez-vous que la table de mixage DJ fonctionne.
	Est-ce que cet appareil se trouve près d'un téléviseur ?	Éteignez le téléviseur ou installez cet appareil à l'écart du téléviseur.
Les informations d'un fichier ne s'affichent pas correctement.	Est-ce que la [LANGUAGE] correcte est sélectionnée ?	Réglez [LANGUAGE] sur la langue appropriée.
	Est-ce que les informations sont dans une langue qui n'est pas prise en charge par cet appareil ?	Lors de la création de fichiers avec le logiciel DJ, etc. enregistrez les informations dans une langue prise en charge par cet appareil.
La recherche de morceau prend trop de temps.	Est-ce que la fonction de repère automatique est en service ?	La recherche de morceau peut être longue quand il y a des passages silencieux entre les morceaux.
	—	S'il n'est pas possible de localiser le morceau en l'espace de 10 secondes, un point de repère est posé au début du morceau.
La fonction de recherche arrière ne fonctionne pas.	Est-ce qu'un point de repère a été posé ?	Posez un point de repère.
La lecture de boucle ne fonctionne pas.	Est-ce que les points des boucles sont posés ?	Posez des points de boucle.
Les réglages ne sont pas enregistrés dans la mémoire.	Est-ce que l'alimentation a été coupée directement après le changement de réglage ?	Après un changement de réglage, attendez au moins 10 secondes avant de couper l'alimentation.
Le dispositif USB n'est pas reconnu.	Est-ce que le dispositif USB est raccordé correctement ?	Raccordez l'appareil correctement (bien enfoncé).
	Est-ce que l'appareil USB est raccordé par l'intermédiaire d'un concentrateur USB ?	Les concentrateurs USB ne peuvent pas être utilisés.
	Est-ce que le dispositif USB est pris en charge par cet appareil ?	Ce lecteur prend en charge seulement les appareils USB de stockage de masse. Ce lecteur prend en charge les lecteurs à mémoire flash et audio numériques portables.
	Est-ce que le format du fichier est pris en charge par cet appareil ?	Vérifiez le format des fichiers du dispositif USB raccordé. Pour les formats de fichiers pris en charge par cet appareil, reportez-vous à la page 12, <i>Support utilisable</i> .
Aucun point de repère ni aucune boucle n'est sauvegardé sur un dispositif USB.	—	Mettez le lecteur hors puis de nouveau en service.
	Essayez-vous sauvegarder plus de points qu'il n'est possible ?	Dix points de repère ou points de boucle par piste peuvent être enregistrés sur un dispositif USB. Si vous essayez de sauvegarder des points au-delà de la limite, [CUE/LOOPPOINT FULL] s'affiche et les points ne peuvent pas être sauvegardés. Dans ce cas, supprimez quelques points avant d'en sauvegarder de nouveaux.
	Est-ce que le dispositif USB est protégé contre l'écriture ?	Si dispositif USB est protégée, [USB FULL] s'affiche et les points ne peuvent pas être sauvegardés. Désactivez la protection et sauvegardez à nouveau les points de repère ou de boucle.
Les points de repères ou de boucles de morceaux enregistrés sur des dispositifs USB ne sont pas indiqués.	L'espace disponible sur le dispositif USB est-il suffisant ?	Si l'espace disponible sur le dispositif USB n'est pas suffisant, [USB FULL] s'affiche et les points ne peuvent pas être sauvegardés. Libérez de l'espace puis sauvegardez à nouveau les points de repère ou de boucle.
	Est-ce que le dispositif USB a été arrêté correctement avant d'être débranché la dernière fois ?	Les points peuvent ne pas s'afficher si la procédure requise n'a pas été effectuée lors du retrait de la carte mémoire SD ou du dispositif USB ou si l'appareil a été éteint. Assurez-vous que l'indicateur USB a arrêté de clignoter avant de retirer le dispositif USB ou d'éteindre l'appareil.
La lecture ne démarre pas immédiatement après une pression sur la touche de rebouclage ou de lecture inverse.	Est-ce que la quantification est en service ?	Lorsque la quantification est en service, la lecture démarre au temps le plus proche du moment où la touche a été pressée. Pour que la lecture démarre dès que la touche est pressée, la quantification doit être hors service.
L'affichage d'adresse de lecture n'apparaît pas en mode de temps restant.	—	Lors de la lecture de fichiers enregistrés en VBR, il arrive parfois que l'appareil ne détecte pas immédiatement la longueur du morceau et, dans ce cas, il faut attendre un peu avant que l'affichage d'adresse de lecture apparaisse.

Problème	Vérification	Solution
Il faut un certain temps pour lire un dispositif USB (lecteur à mémoire flash et disque dur).	Est-ce qu'un grand nombre de dossiers ou fichiers sont enregistrés sur le dispositif USB ?	Le chargement peut durer un certain temps si la quantité de dossiers ou de fichiers est importante.
	Est-ce que des fichiers qui ne sont pas des fichiers de musique sont enregistrés sur le dispositif USB ?	Lorsque des fichiers autres que des fichiers de musique sont enregistrés dans des dossiers, il faut un certain temps pour les lire. N'enregistrez pas de fichiers ou de dossiers autres que des fichiers de musique sur le dispositif USB.
L'exploration de bibliothèques n'est pas possible.	Est-ce que le support inséré contient des bibliothèques ?	Le mode d'exploration de bibliothèques ne peut être sélectionné que si le support inséré contient des bibliothèques. Si le support inséré ne contient pas de bibliothèques, le mode d'exploration de dossiers est sélectionné.
[HISTORY] ne s'affiche pas.	Est-ce qu'un dispositif USB est raccordé ?	La fonction [HISTORY] ne peut être utilisée que pour les lecteurs DJ auxquels un dispositif USB est raccordé.
Rien de ne s'affiche.	Est-ce que la veille automatique est en service ?	En usine, la veille automatique a été mise en service sur cet appareil. Si vous ne voulez pas utiliser la veille automatique, réglez [AUTO STANDBY] dans le menu [UTILITY] sur [OFF].
La gamme n'est pas indiquée.	Est-ce que le morceau dure plus de 15 minutes ?	La gamme n'est pas indiquée pour les morceaux de plus de 15 minutes.
PRO DJ LINK ne fonctionne pas bien.	Est-ce que les numéros de lecteurs sont réglés correctement ?	Réglez [PLAYER No.] sur [AUTO] ou sur un autre numéro que celui qui est actuellement spécifié.
	Est-ce que le câble LAN est correctement raccordé ?	Raccordez le câble LAN correctement à la prise [LINK].
	Est-ce que le concentrateur commutateur est en service ?	Mettez le concentrateur commutateur en service.
	Est-ce qu'un dispositif inutile est raccordé au concentrateur commutateur ?	Débranchez le dispositif inutile du concentrateur commutateur.
Il n'y a aucune réponse quand vous touchez l'écran ou la réponse est mauvaise. Une position différente de l'emplacement réellement touché répond.	Le réglage de l'étalement de l'écran tactile dévie.	Réglez l'écran tactile en utilisant les paramètres [TOUCH DISPLAY CALIBRATION] dans l'écran [UTILITY].

Messages d'erreur

Lorsque cet appareil ne peut pas fonctionner normalement, un code d'erreur apparaît sur l'afficheur. Reportez-vous au tableau suivant et prenez les mesures indiquées. Si le code d'erreur indiqué ne se trouve pas dans le tableau ci-dessous ou si le même code d'erreur réapparaît bien que la mesure suggérée ait été prise, contactez votre revendeur.

Code d'erreur	Type d'erreur	Description de l'erreur	Cause et solution
E-8302	CANNOT PLAY TRACK(****)	Les données (fichiers) des pistes dans l'USB ne peuvent pas être lues correctement.	Les données (fichier) du morceau sont peut-être altérées. → Vérifiez si le morceau (fichier) peut être lu sur un autre lecteur, etc., capable de lire les mêmes formats que cet appareil.
E-8304 E-8305	UNSUPPORTED FILE FORMAT	Des fichiers de musique ne pouvant pas être lus normalement sont chargés.	Mauvais format. → Remplacez les fichiers par des fichiers de musique enregistrés dans le format approprié.

Nettoyer l'écran tactile

N'utilisez pas de solvants organiques, d'acides ou d'alcalins pour nettoyer la surface de l'écran tactile. Essayez avec un chiffon doux et sec ou un chiffon plongé dans un détergent neutre et essoré correctement.



À propos des marques commerciales et des marques déposées

- Pioneer DJ est une marque commerciale de PIONEER CORPORATION qui est utilisée sous licence. rekordbox est une marque déposée de Pioneer DJ Corporation.
- Windows est une marque déposée de Microsoft Corporation aux États-Unis et dans d'autres pays.
- Adobe et Reader sont soit des marques déposées soit des marques commerciales de Adobe Systems Incorporated aux États-Unis et/ou dans d'autres pays.
- ASIO est une marque commerciale de Steinberg Media Technologies GmbH.
- Les accessoires électroniques portant la mention « Made for iPod » et « Made for iPhone » ont été conçus pour fonctionner respectivement avec un iPod ou un iPhone et sont certifiés conformes aux exigences d'Apple par le fabricant. Apple n'est pas responsable pour le fonctionnement de cet appareil ou de sa compatibilité avec les normes réglementaires et de sécurité. Veuillez noter que l'emploi de cet accessoire avec un iPod ou un iPhone peut affecter les performances sans fil.

- iPod, iPhone, Mac, et Mac OS sont des marques commerciales d'Apple Inc., déposées aux États-Unis et dans d'autres pays.
- Android™ est une marque commerciale de Google Inc.
- iOS est une marque commerciale dont les droits afférents sont détenus par Cisco aux États-Unis et dans d'autres pays.
- This software is based in part on the work of the Independent JPEG Group.
Le logiciel présent dans cet appareil emploie partiellement un logiciel de l'Independent JPEG Group.

À propos de l'utilisation de fichiers MP3

La licence de ce produit a été accordée pour un usage non lucratif. La licence n'a pas été accordée à ce produit pour un usage commercial (but lucratif), comme la diffusion radiotélévision (terrestre, satellite, câblée ou autre), la diffusion sur Internet ou Intranet (réseau d'entreprise) ou sur tout autre type de réseaux ou de services de distribution d'informations électroniques (services de distribution de musique numérique en ligne). Pour de tels usages vous devez acquérir les licences appropriées. Pour le détail, consultez le site: <http://www.mp3licensing.com>.

- Les noms de sociétés et de produits mentionnés ici sont des marques commerciales de leurs détenteurs respectifs.

Précautions concernant les droits d'auteur

rekordbox limite la lecture et la copie de contenus musicaux protégés par des droits d'auteur.

- Si des données codées sont insérées dans le contenu musical, par exemple pour la protection des droits d'auteur, le programme risque de ne pas fonctionner normalement.
- Lorsque rekordbox détecte que des données codées sont insérées dans le contenu musical, par exemple pour la protection des droits d'auteur, l'opération en cours (lecture d'un morceau, lecture de données, etc.) peut s'arrêter.

Les enregistrements effectués sont destinés à votre usage personnel et, conformément aux lois sur les droits d'auteur, il se peut que leur utilisation soit soumise au consentement du détenteur des droits.

- La musique enregistrée à partir de CD, etc. est protégée par les lois sur les droits d'auteur de divers pays et par des traités internationaux. La personne qui effectue des enregistrements de musique est responsable de leur utilisation légale.
- Lorsque de la musique est téléchargée d'Internet, etc., la personne qui a effectué le téléchargement est responsable de l'utilisation de cette musique conformément à l'accord conclu avec le site de téléchargement.

Spécifications

Adaptateur secteur

Alimentation.....	CA 100 V à 240 V, 50 Hz/60 Hz
Courant nominal.....	0,6 A
Sortie nominale.....	12 V CC, 2 A
Consommation (en veille).....	0,5 W

Caractéristiques générales – Appareil principal

Consommation.....	12 V CC, 1200 mA
Poids de l'appareil principal.....	2,0 kg
(Lorsque le support n'est pas monté).....	1,7 kg
Dimensions extérieures.....	238 mm (L) × 106,3 mm (H) × 307,8 mm (P)
(Lorsque le support n'est pas monté).....	238 mm (L) × 78,8 mm (H) × 307,8 mm (P)
Température de fonctionnement tolérée.....	+5 °C à +35 °C
Humidité de fonctionnement tolérée.....	5 % à 85 % (sans condensation)

Sortie audio analogique (AUDIO OUT L/R)

Prise de sortie.....	Prise RCA
Niveau de sortie.....	2,0 Vrms (1 kHz)
Réponse en fréquence.....	4 Hz à 20 kHz
Rapport S/B.....	115 dB
Distorsion harmonique totale.....	0,003 %

Section aval USB (USB)

Port.....	Type A
Alimentation électrique.....	5 V/1 A ou moins

Section amont USB (USB)

Port.....	Type B
-----------	--------

LAN (PRO DJ LINK)

Caractéristiques nominales.....	100 Base-TX
---------------------------------	-------------

Écran principal

Type d'écran.....	Écran à cristaux liquides TFT à matrice active (LCD)
Langues prises en charge.....	18 langues

- Les caractéristiques et la présentation peuvent être modifiées, sans avis préalable, dans un souci d'amélioration.
- © 2015 Pioneer DJ Corporation. Tous droits de reproduction et de traduction réservés.

Vielen Dank, dass Sie sich für dieses Pioneer DJ-Produkt entschieden haben. Bitte lesen Sie diese Bedienungsanleitung gründlich durch, um sich mit der Bedienung des Geräts vertraut zu machen. Nachdem Sie die Bedienungsanleitung gelesen haben, legen Sie sie griffbereit zum Nachschlagen ab. In manchen Ländern oder Regionen können sich die Formen von Netzstecker und Netzsteckdose von denen in den Erklärungszeichnungen unterscheiden. Das Verfahren zum Anschließen und Bedienen des Geräts sind aber gleich.

ACHTUNG

UM SICH NICHT DER GEFAHR EINES ELEKTRISCHEN SCHLAGES AUSZUSETZEN, DÜRFEN SIE NICHT DEN DECKEL (ODER DIE RÜCKSEITE) ENTFERNEN. IM GERÄTEINNEREN BEFINDEN SICH KEINE VOM BENUTZER REPARIERBAREN TEILE. ÜBERLASSEN SIE REPARATUREN DEM QUALIFIZIERTEN KUNDENDIENST.

D3-4-2-1-1_B1_De

WARNUNG

Dieses Gerät ist nicht wasserdicht. Zur Vermeidung der Gefahr von Brand und Stromschlag keine Behälter mit Flüssigkeiten (z.B. Blumenvasen und -töpfe) in die Nähe des Gerätes bringen und dieses vor Tropfwasser, Spritzwasser, Regen und Nässe schützen.

D3-4-2-1-3_A1_De

WARNUNG

Keine Quellen offener Flammen (z.B. eine brennende Kerze) auf dieses Gerät stellen.

D3-4-2-1-7a_A1_De

VORSICHTSHINWEIS ZUR BELÜFTUNG

Bei der Aufstellung dieses Gerätes muss für einen ausreichenden Freiraum gesorgt werden, um eine einwandfreie Wärmeabfuhr zu gewährleisten (mindestens 5 cm hinter dem Gerät und jeweils 5 cm an der Seite des Gerätes).

D3-4-2-1-7d*_A1_De

Dieses Produkt erfüllt die Anforderungen für elektromagnetische Verträglichkeit bei Anschluss an andere Geräte über abgeschirmte Kabel und Stecker. Verwenden Sie nur die als Zubehör mitgelieferten Verbindungskabel.

D44-8-2_A1_De

Bei Verwendung dieses Produktes machen Sie sich bitte mit der Sicherheitsinformationen auf der Unterseite des Gerätes vertraut.

D3-4-2-2-4_B1_De

ACHTUNG

Der \odot -Schalter dieses Gerätes trennt das Gerät nicht vollständig vom Stromnetz. Um das Gerät vollständig vom Netz zu trennen, muss der Netzstecker aus der Netzsteckdose gezogen werden. Daher sollte das Gerät so aufgestellt werden, dass stets ein unbehinderter Zugang zur Netzsteckdose gewährleistet ist, damit der Netzstecker in einer Notsituation sofort abgezogen werden kann. Um Brandgefahr auszuschließen, sollte der Netzstecker vor einem längeren Nichtgebrauch des Gerätes, beispielsweise während des Urlaubs, grundsätzlich von der Netzsteckdose getrennt werden.

D3-4-2-2-2a*_A1_De

Dieses Gerät ist für den Heimgebrauch vorgesehen. Falls bei Einsatz zu einem anderem Zweck (z.B. Langzeitgebrauch zu gewerblichen Zwecken in einem Restaurant oder Betrieb in einem Fahrzeug bzw. Schiff) eine Funktionsstörung auftritt, die eine Reparatur des Gerätes erforderlich macht, werden die Reparaturkosten dem Kunden selbst dann in Rechnung gestellt, wenn die Garantiefrist noch nicht abgelaufen ist.

K041_A1_De

Betriebsumgebung

Betriebstemperatur und Betriebsluftfeuchtigkeit:
+5 °C bis +35 °C, 85 % rel. Feuchte max.

(Ventilationsschlitze nicht blockiert)

Eine Aufstellung dieses Gerät an einem unzureichend belüfteten, sehr feuchten oder heißen Ort ist zu vermeiden, und das Gerät darf weder direkter Sonneneinstrahlung noch starken Kunstlichtquellen ausgesetzt werden.

D3-4-2-1-7c*_A1_De

VORSICHT MIT DEM NETZKABEL

Fassen Sie das Netzkabel immer am Stecker. Ziehen Sie nicht am Kabel selbst, und fassen Sie das Netzkabel niemals mit nassen Händen an, da dies einen Kurzschluss oder elektrischen Schlag verursachen kann. Stellen Sie nicht das Gerät, Möbelstücke o.ä. auf das Netzkabel; sehen Sie auch zu, dass es nicht eingeklemmt wird. Machen Sie niemals einen Knoten in das Netzkabel, und binden Sie es nicht mit anderen Kabeln. Das Netzkabel sollte so gelegt werden, dass niemand darauf tritt. Ein beschädigtes Netzkabel kann einen Brand oder elektrischen Schlag verursachen. Prüfen Sie das Netzkabel von Zeit zu Zeit. Sollte es beschädigt sein, wenden Sie sich an Ihre nächste Kundendienststelle oder Ihren Händler, um es zu ersetzen.

S002*_A1_De



Mischen Sie dieses Produkt, wenn Sie es entsorgen wollen, nicht mit gewöhnlichen Haushaltsabfällen. Es gibt ein getrenntes Sammelsystem für gebrauchte elektronische Produkte, über das die richtige Behandlung, Rückgewinnung und Wiederverwertung gemäß der bestehenden Gesetzgebung gewährleistet wird.

Privathaushalte in den Mitgliedsstaaten der EU, in der Schweiz und in Norwegen können ihre gebrauchten elektronischen Produkte an vorgesehenen Sammeleinrichtungen kostenfrei zurückgeben oder aber an einen Händler zurückgeben (wenn sie ein ähnliches neues Produkt kaufen).

Bitte wenden Sie sich in den Ländern, die oben nicht aufgeführt sind, hinsichtlich der korrekten Verfahrensweise der Entsorgung an die örtliche Kommunalverwaltung.

Auf diese Weise stellen Sie sicher, dass das zu entsorgende Produkt der notwendigen Behandlung, Rückgewinnung und Wiederverwertung unterzogen wird, und so mögliche negative Einflüsse auf die Umwelt und die menschliche Gesundheit vermieden werden.

K058b_A1_De

Bevor Sie beginnen

Zum Lesen dieser Anleitung

Vielen Dank, dass Sie sich für dieses Pioneer DJ-Produkt entschieden haben.

Lesen Sie immer sowohl dieses Infoblatt als auch die Bedienungsanleitung! Beide Dokumente enthalten wichtige Informationen, mit denen Sie sich vor dem Gebrauch dieses Produktes vertraut machen müssen.

Nachdem Sie die Bedienungsanleitung gelesen haben, legen Sie sie griffbereit zum Nachschlagen ab.

- Anweisungen zur Erhalten der Bedienungsanleitung siehe *Erhalten der Bedienungsanleitung dieser Einheit* (S. 19).

Merkmale

Dieses Gerät ist ein DJ-Player, ausgestattet mit der Technologie der CDJ-Serie der Pioneer DJ-Player, dem Weltstandard für Club-Player. Umfassende DJ-Auftritte können damit durch Verwendung von Tracks auf USB-Geräten, Computern und Mobilgeräten (Smartphones usw.) ausgeführt werden. Dieser Player bietet nicht nur eine Vielzahl von Funktionen für DJ-Auftritte, einschließlich PRO DJ LINK-, Quantisierungs- und Beat-Sync-Funktionen, sondern auch ein hochzuverlässiges Design und ein Panellayout, das optimale Bedienbarkeit bereitstellt und so eine solide Unterstützung bei allen Arten von DJ-Auftritten bietet.

Erhalten der Bedienungsanleitung dieser Einheit

Die verschiedenen Anleitungen werden manchmal in Form von PDF-Dateien angeboten. Adobe® Reader® muss installiert sein, um Dateien im PDF-Format zu betrachten.

1 Starten Sie einen Webbrowser auf dem Computer und gehen Sie zu der unten angegebenen Pioneer DJ-Support-Website.

<http://pioneerdj.com/support/>

2 Auf der Pioneer DJ-Support-Website klicken Sie auf [Manuals] unter [XDJ-700].

3 Klicken Sie auf die erforderliche Sprache auf der Download-Seite.

Der Download der Bedienungsanleitung beginnt.

Lieferumfang

- Netzkabel
- Audiokabel × 1
- LAN-Kabel × 1
- Netzteil × 1
- Garantie × 1
- Bedienungsanleitung (Kurzanleitung) (dieses Dokument) × 1

Vorbereiten der Software

Die rekordbox-Musikverwaltungssoftware und die Treibersoftware sind nicht im Lieferumfang enthalten.

Zum Verwenden von rekordbox und der Treibersoftware rufen Sie die rekordbox- und Pioneer DJ-Support-Seite auf und laden die jeweilige Software herunter.

- Der Benutzer ist für die Vorbereitung des Computers, Netzwerkgeräte und andere Elemente der Internetverwendungsumgebung verantwortlich, die für die Verbindung zum Internet erforderlich sind.

Über rekordbox

rekordbox ist eine Verbundsoftware für DJ-Auftritte auf die Verwaltung von Tracks.

Durch Verwendung der mittels rekordbox verwalteten Musikdateien gemeinsam mit diesem Gerät kann ein gelungener DJ-Auftritt erzielt werden.

❖ Übernahme von rekordbox (Mac/Windows)

1 Öffnen Sie Ihren Webbrowser an Ihrem Computer und greifen auf die rekordbox-Seite zu.

<http://rekordbox.com/>

2 Klicken Sie auf [Download] auf der rekordbox-Seite und laden rekordbox von der Download-Seite herunter.

- Für Anfragen über rekordbox (Mac/Windows) sehen Sie bitte die oben angegebene Support-Site.

❖ Über rekordbox (iOS/Android)

Von rekordbox (iOS/Android) verwaltete Tracks können abgespielt werden, indem das mobile Gerät, auf dem rekordbox (iOS/Android) installiert ist, über USB angeschlossen wird. Angaben über unterstützte Geräte finden Sie auf der Pioneer DJ-Website (<http://pioneerdj.com/support/>). Anweisungen über rekordbox (iOS/Android) finden Sie im Benutzerhandbuch von rekordbox (iOS/Android).

- Einzelheiten zur Installation von rekordbox (iOS/Android) siehe Pioneer DJ-Website (<http://rekordbox.com/>).

Über die Treibersoftware (Windows)

Diese Treiber-Software ist ein exklusiver ASIO-Treiber für die Ausgabe von Audio-Signalen vom Computer.

- Bei Verwendung von Mac OS X ist es nicht nötig, die Treiber-Software zu installieren.

❖ Herunterladen der Treibersoftware

1 Starten Sie einen Webbrowser auf dem Computer und gehen Sie zu der unten angegebenen Pioneer DJ-Support-Website.

<http://pioneerdj.com/support/>

2 Klicken Sie auf [Software Download] unter [XDJ-700] auf der Pioneer DJ-Support-Website.

3 Klicken Sie auf das Symbol der Treibersoftware, um die Treibersoftware von der Download-Seite herunterzuladen.

- Informationen zum Installieren der Treibersoftware finden Sie auf der Pioneer DJ-Support-Seite.

Geeignete Datenträger

Dieses Gerät ist mit USB-Massenspeichergeräten, wie mobilem Flash-Speicher und digitalen Audioplayern, kompatibel.

Unterstützte Dateisysteme	FAT16, FAT32 und HFS+ (NTFS ist nicht unterstützt.)
---------------------------	---

- Informationen, wie Cue-Punkte, Loop-Punkte und Hot Cues, können per USB gespeichert werden.
- Je nach verwendetem USB-Gerät wird die erwartete Leistung möglicherweise nicht erzielt.
- Es gibt keine Garantie, dass alle USB-Geräte auf dieser Einheit arbeiten.

Weitere Informationen finden Sie in den Bedienungsanweisungen dieses Produktes auf der Pioneer DJ-Support-Seite.

Anbringen des Ständers

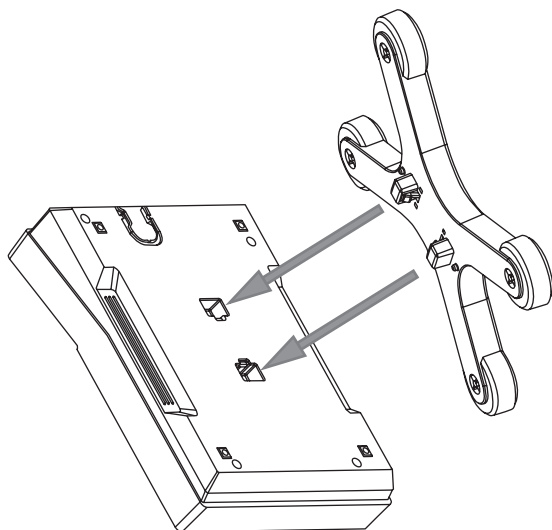
Der Ständer lässt sich einfach anbringen und entfernen. Wenn Sie dieses Gerät gemeinsam mit älteren DJ-Playern oder DJ-Mixern verwenden, können Sie die Bedienpulte gleichhoch ausrichten, indem Sie den Ständer an dieses Gerät anbringen.

Anbringen

1 Bringen Sie die Vorsprünge am Ständer an, indem Sie diese in die Führungsöffnungen auf der Unterseite des Geräts stecken.

2 Üben Sie Druck auf den Ständer aus, bis die Vorsprünge hörbar einrasten.

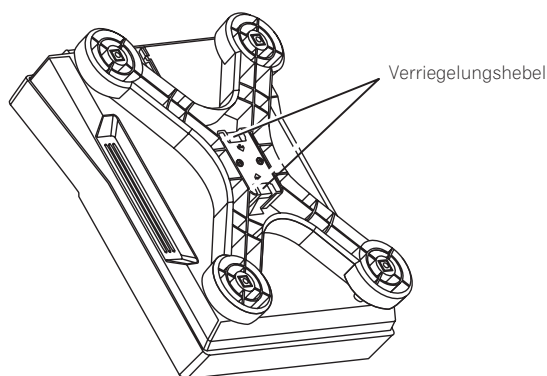
3 Stellen Sie sicher, dass die beiden Verriegelungshebel am Gerät fest verschlossen sind.



Entfernen

1 Schieben Sie die beiden Verriegelungshebel auf der Unterseite des Ständers zur Entriegelung nach innen.

2 Entfernen Sie den Ständer.



ACHTUNG

Wenn Sie die Verriegelungshebel entriegeln und das Gerät dabei angehoben ist, kann Ihnen das Produkt entgleiten und zu Boden fallen. Halten Sie das Produkt daher gut fest, wenn Sie den Ständer entfernen.

Anschlüsse

- Schalten Sie die Stromversorgung aus und ziehen Sie das Netzkabel aus der Netzsteckdose, bevor Sie Geräte anschließen oder die Anschlüsse ändern.
 - Beachten Sie die Bedienungsanleitung der angeschlossenen Komponente.
 - Schließen Sie das Netzkabel an, nachdem alle Anschlüsse zwischen den Geräten vorgenommen wurden.
- Bei Verwendung eines LAN-Kabels zum Anschluss stellen Sie sicher, immer das mit diesem Produkt mitgelieferte LAN-Kabel oder ein STP-Kabel (abgeschirmtes, verdrehtes Paar) zu verwenden.
 - Trennen Sie nicht das LAN-Kabel ab, wenn Musikdateien und/oder Informationen mit PRO DJ LINK gemeinsam verwendet werden.

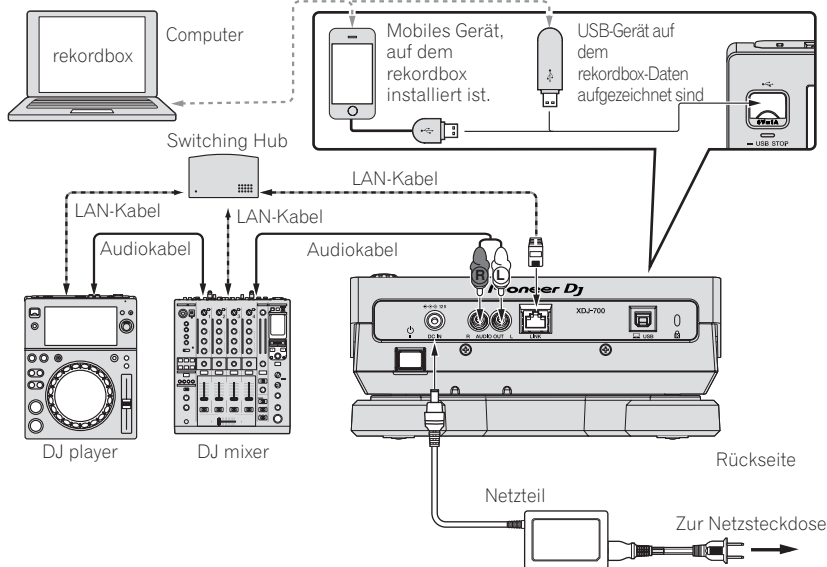
Basic-Stil

Die Wiedergabe auf diesem Gerät wird hauptsächlich mit Tracks ausgeführt, die vorbereitet wurden, während rekordbox auf einem Computer installiert war.

- Anweisungen zur Bedienung von rekordbox siehe Bedienungsanleitung für rekordbox (Mac/Windows). Die Bedienungsanleitung für rekordbox (Mac/Windows) kann aus dem rekordbox (Mac/Windows) [Help]-Menü betrachtet werden.
- Bei DJ-Playern und DJ-Mixern können bis zu vier PRO DJ LINK-kompatible Player über LAN-Kabel (CAT5e) mit PRO DJ LINK-Verbindungen angeschlossen werden.
- Ein Switching Hub (im Handel erhältlich) ist möglicherweise erforderlich, je nach der Kombination der verwendeten Modelle. Verwenden Sie einen Switching Hub von 100 Mbps oder höher. Manche Switching Hubs arbeiten möglicherweise nicht ordnungsgemäß.
- Ein Switching Hub (im Handel erhältlich) ist für den Anschluss eines Mixers erforderlich, der nur einen LAN-Anschluss hat. Für Mixer mit ausreichend LAN-Anschlüssen für alle DJ-Player und Computer im System stellen Sie die Verbindung direkt zu den LAN-Anschlüssen an der Rückseite des Mixers her, ohne einen Hub zu verwenden.

PRO DJ LINK (USB-Export)

- rekordbox-Musikdateien und Daten können mit diesem Gerät mittels eines Speichergeräts (Flash-Speicher, Festplatte usw.) ausgetauscht werden, wodurch es unnötig wird, einen Computer in die DJ-Kabine mitzunehmen. Informationen wie Playlisten, Cues, Loops und Hot Cues, die im Voraus mit rekordbox eingestellt werden, können für die Wiedergabe verwendet werden.



Vorsichtshinweise

Zum Maximieren der Nutzung der Musikdateiverwaltungsfunktionen von rekordbox bringen Sie bitte Player-Nummer und den im Mixer eingegebenen Kanal des Audiokabels in Übereinstimmung.

Wenn die Player-Nummer anders ist, ändern Sie die [PLAYER No.]-Einstellung im Bildschirm [UTILITY].

➔ Informationen zum Ändern der Einstellungen des [UTILITY]-Bildschirms finden Sie in den auf der Pioneer DJ-Support-Seite veröffentlichten Bedienungsanweisungen für dieses Produkt.

- Wenn ein Speichergerät an diesem Gerät angeschlossen ist, wird [PLAYER No.] grau dargestellt und kann nicht geändert werden. Trennen Sie das Speichergerät oder LAN-Kabel ab, um die Verbindung zu unterbrechen, und ändern Sie dann die Einstellung.

Bedienung

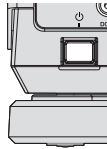
Einschalten der Stromversorgung

1 Stellen Sie alle Verbindungen her und stecken Sie dann den Netzstecker in eine Steckdose.

➔ Anschlüsse (S.21)

2 Drücken Sie den [ON]-Schalter.

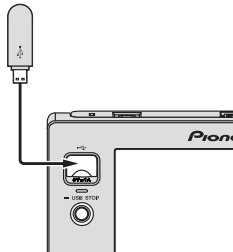
Die Anzeigen dieser Einheit leuchten auf, und sie wird mit Strom versorgt.



Anschließen von USB-Geräten

1 Drücken Sie den [ON]-Schalter zum Einschalten der Stromversorgung dieser Einheit.

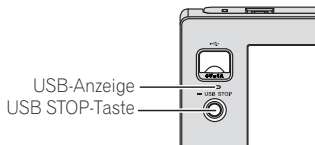
2 Stecken Sie das USB-Gerät im USB-Geräte-Einsetzschacht ein.



Abtrennen von USB-Geräten

1 Drücken und halten Sie die [USB STOP]-Taste, bis die USB-Anzeige aufhört zu blinken.

Während die USB-Anzeige blinkt, dürfen Sie weder das USB-Gerät trennen noch das Gerät abschalten. Die Verwaltungsdaten im Gerät könnten gelöscht werden. Zudem wird das USB-Gerät möglicherweise unlesbar.



2 Trennen Sie das USB-Gerät ab.

Abspielen von Datenträgern, die an diesem Gerät angeschlossen oder eingesetzt sind

1 Legen Sie den Datenträger in das Gerät.

2 Berühren Sie [USB].

Die Tracks oder Ordner werden in einer Liste angezeigt.



Die am Display des Hauptgerätes angezeigten Inhalte des Mediums können umgeschaltet werden.

- **[USB]**: Zeigt die Inhalte von angeschlossenen USB-Geräten und mobilen Geräten.
- Wenn Sie **[LINK]** berühren, werden weitere Musikdateien im DJ-Player angezeigt.
- Wenn Sie **[rekordbox]** berühren, werden Musikdateien in rekordbox angezeigt.
- Wenn die rekordbox Bibliothek-Information auf das USB-Gerät geschrieben wurde, wird die rekordbox-Bibliothek angezeigt.
➔ Informationen zum Durchsuchen der rekordbox-Bibliothek finden Sie in den auf der Pioneer DJ-Support-Seite veröffentlichten Bedienungsanweisungen für dieses Produkt.

3 Drehen Sie den Drehregler.

Verschieben Sie den Cursor und wählen Sie den Eintrag.

- Drücken Sie den Drehregler, zu einer niedrigeren Ebene im Ordner zu gehen. Drücken Sie die **[BACK]**-Taste, um zu der höheren Ebene zurückzukehren.



4 Wählen Sie den Track und drücken Sie den Drehregler.

Wenn der Track geladen ist, schaltet der Bildschirm auf den Normalwiedergabe-Bildschirm um.

Der Datenträger, auf dem der Track geladen ist, blinkt.

- ➔ Informationen zum normalen Wiedergabebildschirm finden Sie in den auf der Pioneer DJ-Support-Seite veröffentlichten Bedienungsanweisungen für dieses Produkt.

Informationen zu weiteren Bedienschritten finden Sie in den auf der Pioneer DJ-Support-Seite veröffentlichten Bedienungsanweisungen für dieses Produkt.

Zusätzliche Informationen

Störungssuche

- Bedienungsfehler werden oft irrtümlich für Störungen oder Ausfälle gehalten. Wenn Sie den Eindruck haben, dass diese Komponente nicht ordnungsgemäß funktioniert, überprüfen Sie bitte die Punkte unten und **[FAQ]** für **[XDJ-700]** auf der Pioneer DJ-Support-Website. <http://pioneerdj.com/support/>
Manchmal wird das Problem auch durch ein externes Gerät verursacht. Überprüfen Sie die anderen verwendeten Komponenten und elektrischen Geräte. Wenn Sie das Problem nicht beheben können, wenden Sie sich an die nächste Pioneer-Kundendienststelle oder an Ihren Händler zum Ausführen der Reparaturarbeit.
- Dieses Gerät kann möglicherweise aufgrund von statischer Elektrizität oder anderen externen Faktoren nicht richtig arbeiten. In diesem Fall kann richtiger Betrieb durch Ausschalten, mindestens 1 Minute Warten und dann erneutes Einschalten wieder hergestellt werden.

Problem	Prüfen	Abhilfe
Datei kann nicht abgespielt werden.	Ist die Datei urheberrechtlich geschützt (durch DRM)?	Urheberrechtlich geschützte Dateien können nicht abgespielt werden.
Es wird kein Ton produziert, oder der Ton ist verzerrt oder laut.	Bedienen Sie den angeschlossenen DJ-Mixer richtig?	Überprüfen Sie die Funktion des DJ-Mixers.
	Befindet sich der dieses Gerät in der Nähe eines Fernsehers?	Schalten Sie den Fernseher aus oder stellen Sie dieses Gerät und den Fernseher weiter voneinander entfernt auf.
Datei-Information wird nicht richtig angezeigt.	Ist [LANGUAGE] richtig eingestellt?	Stellen Sie [LANGUAGE] auf die richtige Sprache ein.
	Sind die Informationen in einer nicht von diesem Gerät unterstützten Sprache aufgezeichnet?	Bei der Erstellung von Dateien mit DJ-Software usw. zeichnen Sie die Informationen in einer Sprache auf, die von diesem Gerät unterstützt wird.
Track-Suche dauert zu lange.	Ist die Funktion Auto Cue aktiviert?	Track-Suche kann einige Zeit dauern, wenn es zu lange stille Abschnitte zwischen den Tracks gibt.
	—	Wenn Track-Suche innerhalb von 10 Sekunden nicht möglich ist, ist ein Cue-Punkt am Anfang des Tracks gesetzt.
Back-Cue-Funktion funktioniert nicht.	Ist ein Cue-Punkt gesetzt?	Setzen Sie einen Cue-Punkt.
Loop Play-Funktion funktioniert nicht.	Sind Loop-Punkte eingestellt?	Stellen Sie Loop-Punkte ein.
Einstellungen werden nicht gespeichert.	Wurde die Stromversorgung sofort nach dem Ändern der Einstellung ausgeschaltet?	Warten Sie nach dem Ändern der Einstellungen mindestens 10 Sekunden, bevor Sie das Gerät ausschalten.
USB-Speichergerät wird nicht erkannt.	Ist das USB-Gerät richtig angeschlossen?	Schließen Sie das Gerät sicher (vollständig) an.
	Ist das USB-Gerät richtig über einen USB-Hub angeschlossen?	USB-Hubs können nicht verwendet werden.
	Wird das USB-Gerät von dieser Einheit unterstützt?	Dieser Spieler unterstützt die USB-Massenspeicherklasse. Dieser Spieler unterstützt portablen Flash-Speicher und digitale Audio-Wiedergabegeräte.
	Wird das Dateiformat von dieser Einheit unterstützt?	Überprüfen Sie das Dateiformat des angeschlossenen USB-Geräts. Für von dieser Einheit unterstützte Dateiformate siehe <i>Geeignete Datenträger</i> auf Seite 20.
Cue-Punkte oder Loops sind nicht auf einem USB-Gerät gespeichert.	—	Schalten Sie die Einheit aus und wieder ein.
	Versuchen Sie, mehr Punkte als zulässig zu speichern?	Zehn Cue-Punkte oder Loop-Punkte pro Titel können auf einem USB-Gerät gespeichert werden. Wenn Sie versuchen, mehr Punkte als zulässig zu speichern, wird [CUE/LOOPPOINT FULL] angezeigt, und die Punkte können nicht gespeichert werden. Löschen Sie in diesem Fall einige Punkte, bevor Sie neue speichern.
	Ist das USB-Gerät schreibgeschützt?	Wenn das USB-Gerät schreibgeschützt ist, wird [USB FULL] angezeigt und die Punkte können nicht gespeichert werden. Deaktivieren Sie den Schreibschutz, um die Cue- oder Loop-Punkte erneut zu speichern.
Gibt es ausreichend freien Speicherplatz auf dem USB-Gerät?	—	Wenn nicht genug freier Platz auf dem USB-Gerät vorhanden ist, wird [USB FULL] angezeigt und die Punkte können nicht gespeichert werden. Schaffen Sie freien Platz, um die Cue- oder Loop-Punkte erneut zu speichern.
	Wurde das USB-Gerät richtig gestoppt, bevor es zum letzten Mal abgetrennt wurde?	Punkte können u.U. nicht angezeigt werden, wenn die SD-Speicherkarte / das USB-Gerät entfernt wurde, ohne richtig gestoppt zu werden oder während die Stromversorgung des ausgeschaltet ist. Stellen Sie sicher, dass die USB-Anzeige aufgehört hat zu blinken, bevor Sie das USB-Gerät trennen oder das Gerät abschalten.
Cue- oder Loop-Punkte von Tracks, die auf USB-Geräten aufgezeichnet sind, werden nicht angezeigt.	Wurde die Quantisierungsfunktion eingeschaltet?	Wenn die Quantisierungsfunktion eingeschaltet ist, startet die Wiedergabe von der nächsten Beat-Position in dem Moment, wo die Taste gedrückt wird. Wenn Sie die Bedienung in dem Moment ausführen wollen, wo die Taste gedrückt wird, schalten Sie die Quantisierungsfunktion aus.
Die Wiedergabe beginnt nicht sofort nach dem Drücken der Taste für Reloop oder Reverse-Wiedergabe.	—	Bei der Wiedergabe von im VBR aufgezeichneten Dateien kann es vorkommen, dass das Set nicht die Länge des Tracks erkennen kann dass einige Zeit für die Anzeige der Wiedergabe-Anzeige benötigt wird.
Die Wiedergabe-Adresse wird nicht im Restzeit-Modus angezeigt.	—	—
	Zeit wird benötigt, um USB-Geräte (Flash-Speicher-Laufwerke und Festplatten) zu lesen.	Gibt es eine große Anzahl von Ordnern oder Dateien auf dem USB-Gerät? Sind andere Dateien als Musikdateien auf dem USB-Gerät gespeichert?

Problem	Prüfen	Abhilfe
Bibliothek-Durchsuchen ist nicht möglich.	Ist ein Datenträger, auf dem Bibliothek-Informationen aufgezeichnet sind, eingesetzt?	Der Bibliothek-Durchsuchen-Modus wird nur eingestellt, wenn Datenträger eingesetzt sind, auf denen Bibliothek-Informationen aufgezeichnet sind. Wenn ein Datenträger eingesetzt wird, für den keine Bibliothek-Informationen aufgezeichnet sind, wird der Ordner-Durchsuchen-Modus eingestellt.
[HISTORY] wird nicht angezeigt.	Ist ein USB-Gerät eingesetzt?	Die Funktion [HISTORY] kann nur für DJ-Player verwendet werden, in denen ein USB-Gerät eingesetzt ist.
Nichts wird angezeigt.	Ist die Funktion Auto-Standby aktiviert?	Diese Einheit ist werkseitig auf aktivierte Auto-Standby-Funktion eingestellt. Wenn Sie die Auto-Standby-Funktion nicht verwenden wollen, stellen Sie [AUTO STANDBY] im [UTILITY]-Menü auf [OFF].
Die Skala wird nicht angezeigt.	Ist der Track von über 15 Minuten lang?	Die Skala wird nicht für Tracks angezeigt, deren Spielzeit länger als 15 Minuten ist.
PRO DJ LINK funktioniert nicht gut.	Sind die Player-Nummern richtig eingestellt?	Setzen Sie [PLAYER No.] auf [AUTO] oder auf eine andere als die momentan eingestellte Zahl.
	Ist das LAN-Kabel richtig angeschlossen?	Schließen Sie das LAN-Kabel richtig an die Buchse [LINK] an.
	Ist die Stromversorgung des Switching Hub eingeschaltet?	Schalten Sie die Stromversorgung des Switching Hub ein.
Ist ein unnötiges Gerät am Switching Hub angeschlossen?		Trennen Sie das unnötige Gerät vom Switching Hub ab.
Bei Berührung des Bildschirms erfolgt keine Reaktion oder die Reaktionsfähigkeit ist schlecht. Die Position weicht von der tatsächlich berührten Stelle am Bildschirm ab.	Kalibrierungsanpassung des Touchscreens weicht ab.	Stellen Sie den Touchscreen mit den Einstellungen [TOUCH DISPLAY CALIBRATION] am [UTILITY]-Bildschirm ein.

Fehlermeldungen

Wenn dieses Gerät nicht ordnungsgemäß betrieben werden kann, wird auf dem Display ein Fehlercode angezeigt. Informieren Sie sich in der nachfolgenden Tabelle über die zu ergreifenden Maßnahmen. Wenn ein Fehlercode angezeigt wird, der in der nachfolgenden Tabelle nicht aufgeführt ist, oder wenn derselbe Fehlercode nach Ergreifen der angegebenen Maßnahme weiterhin angezeigt wird, wenden Sie sich an das Fachgeschäft, in dem das Produkt gekauft wurde.

Fehlercode	Fehlertyp	Beschreibung des Fehlers	Ursache und Abhilfe
E-8302	CANNOT PLAY TRACK(****)	Titeldaten (Dateien) im USB-Speicher können nicht richtig gelesen werden.	Die Track-Daten (Datei) können korrumpiert sein. → Prüfen Sie, ob der Track (die Datei) auf einem anderen Player usw., der das gleiche Format wie dieses Gerät abspielen kann, abgespielt werden kann.
E-8304 E-8305	UNSUPPORTED FILE FORMAT	Musikdateien, die nicht normal abgespielt werden können, sind geladen.	Das Format ist falsch. → Durch Musikdateien im richtigen Format ersetzen.

Touchscreen reinigen

Verwenden Sie keine organischen Lösungsmittel, Säuren oder Basen zur Reinigung der Oberfläche des Touchscreens. Wischen Sie sie mit einem trockenen, weichen oder einem mit neutralem Reinigungsmittel angefeuchteten und gründlich ausgewrungenen Tuch ab.

Über Markenzeichen und eingetragene Markenzeichen

- Pioneer DJ ist ein Markenzeichen der PIONEER CORPORATION und wird unter Lizenz verwendet. rekordbox ist ein eingetragenes Markenzeichen der Pioneer DJ Corporation.
- Windows ist ein eingetragenes Markenzeichen der Microsoft Corporation in den USA und anderen Ländern.
- Adobe und Reader sind eingetragene Markenzeichen oder Markenzeichen von Adobe Systems Incorporated in den USA und/oder anderen Ländern.
- ASIO ist ein Markenzeichen von Steinberg Media Technologies GmbH.
- Die Kennzeichnungen „Made for iPod“ und „Made for iPhone“ bedeuten, dass ein elektronisches Zubehörteil spezifisch zum Anschluss an iPod oder iPhone konstruiert wurde und entsprechend vom Entwickler als die Leistungsstandards von Apple erfüllend zertifiziert wurde. Apple übernimmt keine Verantwortung für die richtige Funktion dieses Geräts oder seine Erfüllung von Sicherheits- oder anderen Vorschriften. Bitte beachten Sie, dass der Gebrauch dieses Zubehörteils in Verbindung mit einem iPod oder iPhone die drahtlose Leistung beeinträchtigen kann.



- iPod, iPhone, Mac, und Mac OS sind Markenzeichen der Apple Inc., die in den USA und anderen Ländern eingetragen sind.
- Android™ ist eine Marke der Google Inc.
- iOS ist eine Marke, für die Cisco das Markenrechte in den USA und bestimmten anderen Ländern hält.
- This software is based in part on the work of the Independent JPEG Group.
Die Software in dieser Einheit verwendet teilweise Software der Independent JPEG Group.

Über Verwendung von MP3-Dateien

Dieses Produkt wurde für Nonprofit-Verwendung lizenziert. Dieses Produkt ist nicht zu den Handelszwecken (für Gewinn bringen- den Gebrauch), wie Sendung (terrestrisch, Satelliten-, Kabel oder andere Arten von Sendungen), streaming im Internet, Intranet (ein privates Kommunikationsnetz) oder anderen Typen von Netzwerken oder zum Vertrieb elektronischer Information (online digitale Musikvertriebsdienste) lizenziert worden. Für derartige Verwendungszwecke müssen sie die entsprechenden Lizenzen erhalten. Für Einzelheiten besuchen Sie <http://www.mp3licensing.com>.

- Die hier erwähnten Produkt- oder Firmennamen sind Markenzeichen der jeweiligen Eigentümer.

Hinweise zum Urheberrechte

rekordbox beschränkt die Wiedergabe und Vervielfältigung von urheberrechtlich geschützten Musik-Inhalten.

- Wenn codierte Daten, usw. zum Schutz der Urheberrechte in Musik-Inhalten eingebettet sind, kann es unmöglich sein, das Programm normal auszuführen.
- Wenn rekordbox erkennt, dass kodierte Daten usw., für den Schutz der Urheberrechte in Musik-Inhalten eingebettet ist, kann der ablaufende Vorgang (Wiedergabe, Lesen, usw.) stoppen.

Aufnahmen, die Sie vornehmen, sind für persönlichen Genuss gedacht und dürfen nach dem Urheberrecht nicht ohne Zustimmung des Urheberrechtinhabers anderweitig verwendet werden.

- Musik, die von CDs, usw. aufgenommen wurde, ist durch die Urheberrechtsgesetze der einzelnen Länder sowie durch internationale Abkommen geschützt. Es liegt in der vollen Verantwortung der Person, die die Musik aufgenommen hat, sicherzustellen, dass die Aufnahmen nicht gesetzwidrig verwendet werden.
- Beim Umgang mit Musik, die aus dem Internet heruntergeladen wurde usw., liegt es in der vollen Verantwortung der Person, die den Musik-Download ausgeführt hat, sicherzustellen, dass die aufgenommenen Inhalte entsprechend den Vorschriften auf der Download-Site verwendet werden.

Technische Daten

Netzteil

Stromversorgung	100 V bis 240 V Wechselspannung, 50 Hz/60 Hz
Nennstrom	0,6 A
Nenn-Ausgang	12 V Gleichstrom, 2 A
Leistungsaufnahme (Standby).....	0,5 W

Allgemein – Haupteinheit

Leistungsaufnahme.....	12 V Gleichstrom, 1200 mA
Gewicht des Hauptgeräts.....	2,0 kg
(Ohne angebrachten Ständer)	1,7 kg
Außenabmessungen	238 mm (B) × 106,3 mm (H) × 307,8 mm (T)
(Ohne angebrachten Ständer)	238 mm (B) × 78,8 mm (H) × 307,8 mm (T)
Betriebstemperatur	+5 °C bis +35 °C
Betriebluftfeuchtigkeit.....	5 % bis 85 % (keine Kondensation)

Analoger Audioausgang (AUDIO OUT L/R)

Ausgangsbuchse	Cinch-Buchse
Ausgangspegel	2,0 Veff (1 kHz)
Frequenzgang	4 Hz bis 20 kHz
Signalrauschabstand	115 dB
Gesamtklirrfaktor	0,003 %

USB Downstream-Bereich (USB)

Port	Typ A
Stromversorgung	5 V/1 A oder weniger

USB-Upstream-Bereich (USB)

Port	Typ B
------------	-------

LAN (PRO DJ LINK)

Bewertung	100Base-TX
-----------------	------------

Haupt-Display

Displaytyp	Active Matrix TFT-Flüssigkristalldisplay (LCD)
Unterstützte Karten	18 Sprachen

- Änderungen der technischen Daten und das Design dieses Geräts ohne vorherige Ankündigung bleiben vorbehalten.
- © 2015 Pioneer DJ Corporation. Alle Rechte vorbehalten.

Vi ringraziamo per avere acquistato questo prodotto Pioneer DJ. Vi preghiamo di leggere queste istruzioni per l'uso in modo da sapere usare correttamente il proprio modello. Dopo aver letto queste istruzioni, riporle in un luogo sicuro per poterle consultare di nuovo al momento del bisogno. In alcuni paesi o regioni, la forma della spina di alimentazione e della presa di corrente possono non essere quelle delle illustrazioni. Il metodo di collegamento e di uso dell'unità però non cambia.

ATTENZIONE

PER EVITARE IL RISCHIO DI SCOSSE ELETTRICHE, NON RIMUOVERE IL COPERCHIO (O IL RETRO). NON CI SONO PARTI INTERNE LA CUI MANUTENZIONE POSSA ESSERE EFFETTUATA DALL'UTENTE. IN CASO DI NECESSITÀ, RIVOLGERSI ESCLUSIVAMENTE A PERSONALE DI SERVIZIO QUALIFICATO.

D3-4-2-1-1_B2_It

ATTENZIONE

Questo apparecchio non è impermeabile. Per prevenire pericoli di incendi o folgorazioni, non posizionare nelle vicinanze di questo apparecchio contenitori pieni di liquidi (quali vasi da fiori, o simili), e non esporre l'apparecchio a sgoccioli, schizzi, pioggia o umidità.

D3-4-2-1-3_A1_It

ATTENZIONE

Per evitare il pericolo di incendi, non posizionare sull'apparecchio dispositivi con fiamme vive (ad esempio una candela accesa, o simili).

D3-4-2-1-7a_A1_It

Condizioni ambientali di funzionamento

Gamma ideale della temperatura ed umidità dell'ambiente di funzionamento:
da +5 °C a +35 °C, umidità relativa inferiore all'85 % (fessure di ventilazione non bloccate)
Non installare l'apparecchio in luoghi poco ventilati, o in luoghi esposti ad alte umidità o alla diretta luce del sole (o a sorgenti di luce artificiale molto forti).

D3-4-2-1-7c*_A1_It

AVVERTENZA PER LA VENTILAZIONE

Installare l'apparecchio avendo cura di lasciare un certo spazio all'intorno dello stesso per consentire una adeguata circolazione dell'aria e migliorare la dispersione del calore (almeno 5 cm sul retro, e 5 cm su ciascuno dei lati).

D3-4-2-1-7d*_A1_It

Prima di usare il prodotto, controllare le norme sulla sicurezza stampate sul suo fondo.

D3-4-2-2-4_B1_It

AVVERTENZA

L'interruttore principale (⏻) dell'apparecchio non stacca completamente il flusso di corrente elettrica dalla presa di corrente alternata di rete. Dal momento che il cavo di alimentazione costituisce l'unico dispositivo di distacco dell'apparecchio dalla sorgente di alimentazione, il cavo stesso deve essere staccato dalla presa di corrente alternata di rete per sospendere completamente qualsiasi flusso di corrente. Verificare quindi che l'apparecchio sia stato installato in modo da poter procedere con facilità al distacco del cavo di alimentazione dalla presa di corrente, in caso di necessità. Per prevenire pericoli di incendi, inoltre, il cavo di alimentazione deve essere staccato dalla presa di corrente alternata di rete se si pensa di non utilizzare l'apparecchio per periodi di tempo relativamente lunghi (ad esempio, durante una vacanza).

D3-4-2-2-2a*_A1_It

Questo prodotto è destinato esclusivamente all'uso domestico. Eventuali disfunzioni dovute ad usi diversi (quali uso prolungato a scopi commerciali, in ristoranti, o uso in auto o su navi) e che richiedano particolari riparazioni, saranno a carico dell'utente, anche se nel corso del periodo di garanzia.

K041_A1_It

AVVERTIMENTO RIGUARDANTE IL FILO DI ALIMENTAZIONE

Prendete sempre il filo di alimentazione per la spina. Non tiratelo mai agendo per il filo stesso e non toccate mai il filo con le mani bagnate, perchè questo potrebbe causare cortocircuiti o scosse elettriche. Non collocate l'unità, oppure dei mobili sopra il filo di alimentazione e controllate che lo stesso non sia premuto. Non annodate mai il filo di alimentazione nè collegatelo con altri fili. I fili di alimentazione devono essere collocati in tal modo che non saranno calpestati. Un filo di alimentazione danneggiato potrebbe causare incendi o scosse elettriche. Controllate il filo di alimentazione regolarmente. Quando localizzate un eventuale danno, rivolgetevi al più vicino centro assistenza oppure al vostro rivenditore per la sostituzione del filo di alimentazione.

S002*_A1_It

Questo prodotto soddisfa le normative sul rumore elettromagnetico quando è collegato ad altri componenti attraverso cavi e connettori schermati. Usare solo i cavi di collegamento allegati come accessori.

D44-8-2_A1_It



Se si vuole eliminare questo prodotto, non gettarlo insieme ai rifiuti domestici. Esiste un sistema di raccolta differenziata in conformità alle leggi che richiedono appositi trattamenti, recupero e riciclo.

I privati cittadini dei paesi membri dell'UE, di Svizzera e Norvegia, possono restituire senza alcun costo i loro prodotti elettronici usati ad appositi servizi di raccolta o a un rivenditore (se si desidera acquistarne uno simile).

Per i paesi non citati qui sopra, si prega di prendere contatto con le autorità locali per il corretto metodo di smaltimento.

In questo modo, si è sicuri che il proprio prodotto eliminato subirà il trattamento, il recupero e il riciclo necessari per prevenire gli effetti potenzialmente negativi sull'ambiente e sulla vita dell'uomo.

K058b_A1_It

Prima di iniziare

Come leggere questo manuale

Vi ringraziamo per avere acquistato questo prodotto Pioneer DJ. Non mancare di leggere sia questo volantino, sia le istruzioni per l'uso! I due documenti includono informazioni importanti che devono venire comprese prima di usare questo prodotto.

Dopo aver letto queste istruzioni, riporle in un luogo sicuro per poterle consultare di nuovo al momento del bisogno.

- Per sapere come ottenere le istruzioni per l'uso, vedere *Come procurarsi le "Istruzioni per l'uso" di questa unità* (p. 27).

Caratteristiche

Questa unità è un lettore DJ dotato della tecnologia della serie CDJ per DJ di Pioneer, lo standard mondiale dell'audio per club. Si possono fare vere e proprie performance DJ usando brani non solo da dispositivi USB e computer, ma anche da dispositivi mobili (smartphone, ecc.). Non solo è dotato di una vasta gamma di caratteristiche per performance DJ, incluso PRO DJ LINK e le funzioni di quantizzazione e beat sync, ma offre anche un design di grande affidabilità ed un layout del pannello che fornisce grande facilità d'uso, supportando ogni tipo di performance DJ.

Come procurarsi le "Istruzioni per l'uso" di questa unità

Varie istruzioni per l'uso sono a volte messe a disposizione in file di formato PDF. La visione di file PDF richiede Adobe® Reader®.

1 Lanciare il web browser del proprio computer e raggiungere il sito di supporto DJ di Pioneer che segue.

<http://pioneerdj.com/support/>

2 Nel sito di supporto DJ Pioneer, fare clic su [Manuals] in [XDJ-700].

3 Nella pagina di download, fare clic sulla lingua desiderata.

Il download delle istruzioni per l'uso inizia.

Contenuto della confezione

- Cavo di alimentazione
- Cavo audio × 1
- Cavo LAN × 1
- Adattatore CA × 1
- Garanzia × 1
- Istruzioni per l'uso (Guida di avvio veloce) (questo documento) × 1

Preparazione del software

Il software di gestione della musica rekordbox e del driver non sono inclusi.

Per utilizzare rekordbox e il software del driver, accedere al sito rekordbox e al sito di assistenza Pioneer DJ e scaricare il software.

- L'utente deve eseguire da sé l'impostazione del computer, dei dispositivi di rete e di altri elementi dell'ambiente di uso di Internet richiesti dal collegamento alla rete.

Informazioni su rekordbox

rekordbox è un software composito che consente la gestione delle tracce e le prestazioni DJ.

Si possono ottenere eccellenti performance DJ utilizzando i file musicali gestiti da rekordbox insieme a questa unità.

❖ Acquisizione di rekordbox (Mac/Windows)

1 Aprire il browser sul computer e accedere al sito rekordbox.

<http://rekordbox.com/>

2 Fare clic su [Download] nel sito rekordbox e scaricare rekordbox dalla pagina di download.

- Per domande riguardanti rekordbox (Mac/Windows), consultare il sito di supporto tecnico indicato qui sopra.

❖ Informazioni su rekordbox (iOS/Android)

I brani gestiti con rekordbox (iOS/Android) possono venire riprodotti collegando il dispositivo mobile che contiene rekordbox (iOS/Android) via USB. Per quanto riguarda i dispositivi compatibili, vedere il sito Web di Pioneer DJ (<http://pioneerdj.com/support/>). Per istruzioni per rekordbox (iOS/Android), vederne il manuale dell'utente rekordbox (iOS/Android).

- Per dettagli sull'installazione di rekordbox (iOS/Android), vedere il sito Web di Pioneer DJ (<http://rekordbox.com/>).

Informazioni sul driver (Windows)

Questo software è un esclusivo driver ASIO per la produzione di segnali audio da parte del computer.

- Non è necessario installare un driver se si usa Mac OS X.

❖ Come ottenere il software del driver

1 Lanciare il web browser del proprio computer e raggiungere il sito di supporto DJ di Pioneer che segue.

<http://pioneerdj.com/support/>

2 Fare clic su [Software Download] in [XDJ-700] del sito di supporto DJ Pioneer.

3 Fare clic sull'icona del software del driver per scaricarlo dalla pagina di download.

- Per informazioni sull'installazione del software del driver, consultare il sito di assistenza Pioneer DJ.

Supporti utilizzabili

La presente unità è compatibile con dispositivi di memoria di massa USB, quali memoria flash mobile e lettore audio digitale.

File system supportati	FAT16, FAT32 e HFS+ (NTFS non è supportato.)
------------------------	--

- Tramite USB è possibile memorizzare informazioni quali cue point, loop point e hot cue.
- Con certi dispositivi USB può non essere possibile ottenere le prestazioni desiderate.
- Non si garantisce che tutti i dispositivi USB funzionino con questa unità.

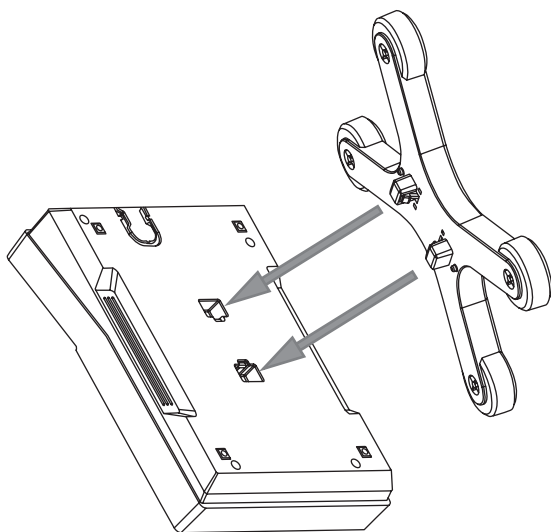
Per ulteriori informazioni, consultare le istruzioni per l'uso di questo prodotto, pubblicate sul sito di assistenza Pioneer DJ.

Collegamento del supporto

È possibile collegare e scollegare con facilità il supporto a/da questa unità. Se si utilizza questa unità allineata con i riproduttori o i mixer DJ precedenti, è possibile allineare i pannelli operativi sullo stesso livello collegando il supporto a questa unità.

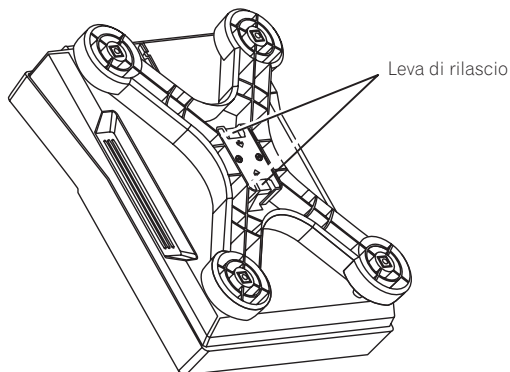
Come collegare

- 1 Inserire le protrusioni sul supporto nei fori guida sulla parte inferiore di questa unità.
- 2 Spingere il supporto fino a sentire lo scatto di posizionamento.
- 3 Controllare che le due leve di rilascio siano fermamente agganciate a questa unità e non vengano rilasciate.



Come rimuovere

- 1 Muovere le due leve di rilascio sulla parte inferiore del supporto verso l'interno per rilasciare il blocco.
- 2 Rimuovere il supporto.



ATTENZIONE

Se si toglie il blocco della leva di rilascio mentre il prodotto viene sollevato è possibile che cada. Tenere ben fermo il prodotto e rimuovere il supporto.

Collegamenti

- Prima di fare o modificare collegamenti, non mancare di spegnere l'apparecchio e di scollegare il cavo di alimentazione.
- Consultare le istruzioni per l'uso del componente da collegare.
- Collegare il cavo di alimentazione dopo che tutti i collegamenti fra dispositivi sono stati fatti.

- Se si usa un cavo LAN per i collegamenti, non mancare di fare uso del cavo LAN accluso al prodotto o un cavo STP (shielded twisted pair).
- Non scollegare il cavo LAN quando file musicali e/o informazioni vengono condivisi usando PRO DJ LINK.

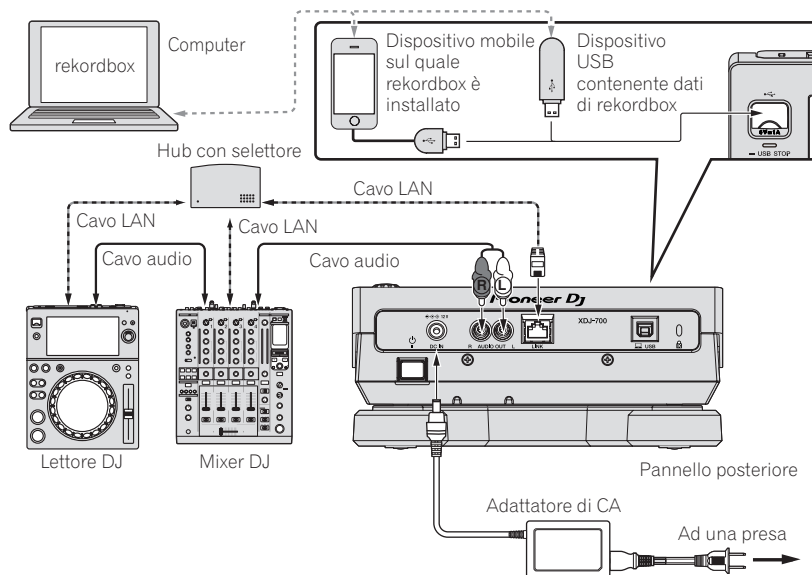
Stile di base

La riproduzione con questa unità viene fatta principalmente con brani preparati con rekordbox installato su di un computer.

- Per le modalità d'uso di rekordbox, vederne le istruzioni per l'uso di rekordbox (Mac/Windows). Le istruzioni per l'uso di rekordbox (Mac/Windows) sono accessibili dal menu [Help] di rekordbox (Mac/Windows) stesso.
- Inoltre, per i lettori DJ e mixer DJ, è possibile collegare fino a quattro lettori compatibili con PRO DJ LINK usando cavi LAN (CAT5e) e connessioni PRO DJ LINK.
- Con certe combinazioni di modelli, potrebbe anche essere necessario uno switching hub (da acquistarsi separatamente). Usare uno switching hub da 100 Mbps o più. Alcuni switching hub potrebbero non funzionare correttamente.
Per collegarsi ad un mixer dotato di una sola porta LAN è necessario uno switching hub (da acquistarsi separatamente). Con mixer dotati di porte LAN sufficienti per tutti i lettori DJ e computer del sistema, collegarli direttamente alle porte LAN del retro del mixer, senza usare hub.

PRO DJ LINK (USB Export)

- I file audio ed i dati di rekordbox possono venire trasferiti a questa unità con un dispositivo di memoria (memoria flash, disco fisso, ecc.) eliminando la necessità di portare il computer nella cabina DJ. È possibile fissare in anticipo le playlist, i cue, i loop e gli hot cues con rekordbox ed usarli per la riproduzione.



Attenzione

Per ottimizzare l'uso delle funzioni di gestione dei file musicali di rekordbox, far corrispondere il numero del lettore con il canale del cavo audio immesso nel mixer.

Se il numero del lettore è differente, cambiare l'impostazione [PLAYER No.] sullo schermo [UTILITY].

➔ Per informazioni sulla modifica delle impostazioni della schermata [UTILITY], consultare le istruzioni per l'uso di questo prodotto, pubblicate sul sito di assistenza Pioneer DJ.

- Quando un dispositivo di memorizzazione è collegato a questa unità, [PLAYER No.] viene visualizzato in grigio e non può essere modificato. Scollegare il dispositivo di memorizzazione o il cavo LAN per spegnere il collegamento, quindi modificare l'impostazione.

Impiego

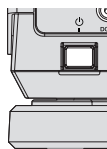
Accensione

1 Fare tutti i collegamenti e collegare il cavo di collegamento ad una presa di corrente.

➔ *Collegamenti* (p.29)

2 Premere l'interruttore [⏻].

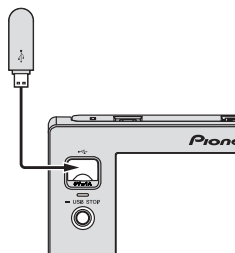
Gli indicatori di questa unità si accendono ed essa si accende.



Collegamento di dispositivi USB

1 Premere l'interruttore [⏻] facendo accendere questa unità.

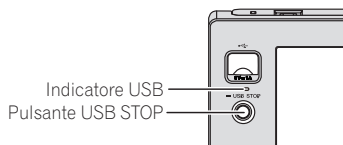
2 Inserire il dispositivo USB nella slot USB.



Scollegamento di dispositivi USB

1 Tenere premuto il pulsante [USB STOP] finché l'indicatore USB non cessa di lampeggiare.

Non rimuovere il dispositivo USB e non spegnere l'unità quando l'indicatore USB lampeggia. I dati di gestione dell'unità potrebbero essere eliminati. Inoltre, il dispositivo USB potrebbe divenire illeggibile.



2 Scollegare il dispositivo USB.

Riproduzione di supporti collegati o inseriti in questa unità

1 Caricare il supporto su questa unità.

2 Toccare [USB].

I brani o cartelle vengono visualizzati in una lista.



È possibile modificare il contenuto del supporto da visualizzare sul display dell'unità principale.

- **[USB]:** Visualizza i contenuti della dispositivo USB collegata e dei dispositivi mobili.
- Quando si tocca **[LINK]**, vengono visualizzati altri file musicali nel lettore DJ.
- Quando si tocca **[rekordbox]**, vengono visualizzati i file musicali di rekordbox.
- Se le informazioni della libreria rekordbox sono state salvate in un dispositivo USB, vengono visualizzate.
➔ Per informazioni sulla ricerca della libreria di rekordbox, consultare le istruzioni per l'uso di questo prodotto, pubblicate sul sito di assistenza Pioneer DJ.

3 Ruotare la manopola selettiva.

Spostare il cursore e scegliere la voce desiderata.

- Premere la manopola selettiva per passare ad un livello inferiore della cartella. Premere il pulsante **[BACK]** per tornare al livello superiore.



4 Scegliere il brano e premere la manopola selettiva.

Caricato il brano, la schermata di riproduzione normale compare.

Il supporto contenente il brano lampeggia.

- ➔ Per informazioni sulla normale schermata di riproduzione, consultare le istruzioni per l'uso di questo prodotto, pubblicate sul sito di assistenza Pioneer DJ.

Per informazioni sulle altre operazioni, consultare le istruzioni per l'uso di questo prodotto, pubblicate sul sito di assistenza Pioneer DJ.

Informazioni aggiuntive

Diagnostica

- L'uso scorretto dell'apparecchio viene spesso scambiato per un guasto. Se si ritiene che questa unità abbia qualche guasto, controllare i punti seguenti e le **[FAQ]** del **[XDJ-700]** sul sito di supporto DJ di Pioneer.
<http://pioneerdj.com/support/>
A volte il problema risiede in un altro componente. Controllare tutti i componenti ed apparecchi elettronici usati. Se il problema non può venire eliminato, chiedere assistenza tecnica al più vicino centro assistenza o rivenditore autorizzato Pioneer.
- Questa unità può non funzionare a causa di elettricità statica o altre influenze esterne. In questo caso, il funzionamento corretto dovrebbe tornare spegnendo questa unità, attendendo un minuto e riaccende.

Problema	Controllare	Rimedio
Il file non può venire riprodotto.	Il file è protetto dal sistema DRM (protezione dalla copia)?	I file protetti dalla copia non possono venire riprodotti.
Non viene prodotto alcun suono oppure è distorto o disturbato.	Si sta utilizzando il mixer DJ collegato in modo corretto?	Controllare il funzionamento del mixer DJ.
	Questa unità si trova vicino ad un televisore?	Disattivare l'alimentazione del televisore oppure installare questa unità ed il televisore lontani una dall'altro.
Le informazioni sul file non vengono visualizzate.	[LANGUAGE] è impostato correttamente?	Impostare [LANGUAGE] sulla lingua appropriata.
	Le informazioni sono registrate in una lingua non supportata da questa unità?	Quando si creano dei file usando il software DJ, ecc., registrare le informazioni in una lingua supportata da questa unità.
L'operazione di ricerca dei brani richiede troppo tempo.	La funzione auto cue è attivata?	La ricerca di brani potrebbe richiedere un certo tempo se vi sono sezioni lunghe e silenziose tra i brani.
	—	Se la ricerca del brano non fosse possibile entro 10 secondi, all'inizio del brano viene impostato un punto cue point.
La funzione Back Cue non funziona.	E' stato impostato un cue point?	Impostare un punto cue.
La funzione di riproduzione Loop non funziona.	I punti loop sono impostati?	Impostare i punti loop.
Le impostazioni non sono state memorizzate.	L'alimentazione è stata disattivata direttamente subito dopo il cambio delle impostazioni?	Dopo aver cambiato le impostazioni, attendere almeno 10 secondi prima di disattivare l'alimentazione.
Il dispositivo USB non viene riconosciuto.	Il dispositivo USB è correttamente collegato?	Inserire bene (a fondo) il dispositivo.
	Il dispositivo di memoria di massa USB è collegato attraverso un hub USB?	Gli hub USB non possono essere utilizzati.
	Il dispositivo USB è supportato da questa unità?	Questo lettore supporta solo i dispositivi di memoria di massa USB. Questo lettore supporta le memorie flash ed i dispositivi di riproduzione digitali audio.
	Il formato del file è supportato da questa unità?	Controllare il formato di file del dispositivo USB collegato. Per i formati di file supportati da questa unità, vedere <i>Supporti utilizzabili</i> a pagina 27.
	—	Spegnere e riaccendere il dispositivo.
I cue point o loop non vengono memorizzati in un dispositivo USB.	Si sta tentando di memorizzare più punti del consentito?	Su una periferica USB è possibile memorizzare dieci cue point o loop point. Se si prova a registrare più punti oltre il limite, viene visualizzato [CUE/LOOPPOINT FULL] ed i punti non possono essere registrati. In tal caso, cancellare alcuni punti per poterne memorizzare altri.
	Il dispositivo USB è protetto dalla scrittura?	Se il dispositivo USB è protetto dalla scrittura, viene visualizzato [USB FULL] ed i punti non possono essere registrati. Disattivare la protezione della scrittura e memorizzare di nuovo i cue o loop point.
	C'è spazio a sufficienza sul dispositivo USB?	Se un dispositivo USB non avesse spazio sufficiente, viene visualizzato [USB FULL] ed i punti non vengono memorizzati. Liberare dello spazio e riprovare a memorizzare i cue o loop point.
I punti cue o loop dei brani registrati su dispositivi USB non vengono visualizzati.	Il dispositivo USB è stato disattivato correttamente prima di venire scollegato per l'ultima volta?	I punti potrebbero non venire visualizzati se la scheda di memoria SD/dispositivo USB è stato rimosso senza eseguire la procedura di arresto appropriata oppure se l'alimentazione di questa unità è stata disattivata. Assicurarsi che l'indicatore USB abbia cessato di lampeggiare prima di rimuovere il dispositivo USB o spegnere l'unità.
La riproduzione non inizia immediatamente dopo aver premuto il pulsante di reloop o riproduzione inversa.	La funzione di quantizzazione è attivata?	A funzione quantize attivata, la riproduzione inizia dalla posizione della battuta più vicina al momento della pressione del pulsante. Se si desidera che l'operazione avvenga quando si preme il pulsante, disattivare la funzione quantize.
Nel modo del tempo rimanente, il display della posizione della riproduzione non viene visualizzato.	—	Quando si riproducono file registrati in VBR, potrebbe accadere che l'unità non sia in grado di rilevare immediatamente la lunghezza del brano e che sia necessario perciò del tempo prima che appaia il display della posizione della riproduzione.
La lettura di dispositivi USB richiede del tempo (memorie flash e dischi fissi).	Nel dispositivo USB vi è un grande numero di cartelle o file registrati?	Quando vi sono molte cartelle o file, il caricamento potrebbe richiedere un certo tempo.
	Nel dispositivo USB sono memorizzati file diversi da quelli musicali?	Quando dei file diversi dai file musicali vengono memorizzati in cartelle, è necessario del tempo anche per la loro lettura. Non memorizzare file o cartelle che non siano file musicali nel dispositivo USB.

Problema	Controllare	Rimedio
Non è possibile scorrere la libreria.	E' stato caricato un supporto con registrate le informazioni per la libreria?	Il modo di scorrimento della libreria viene impostato solo quando vengono caricati supporti con registrate le informazioni per la libreria. Quando viene caricato un supporto su cui non è registrata alcuna informazione per la libreria, viene impostato il modo di scorrimento delle cartelle.
[HISTORY] non viene visualizzato.	C'è un dispositivo USB caricato?	La funzione [HISTORY] può essere utilizzata solo per lettori DJ su cui sia stato caricato un dispositivo USB.
Non viene visualizzato nulla.	La funzione auto standby è attivata?	Questa unità viene posta in vendita con la modalità auto standby attivata. Se non si desidera utilizzare la funzione auto standby, impostare [AUTO STANDBY] del menu [UTILITY] su [OFF].
La scala non viene visualizzata.	Il brano dura oltre 15 minuti?	La scala non viene visualizzata per brani lunghi oltre 15 minuti.
PRO DJ LINK non funziona bene.	I numeri dei lettori sono stati impostati in modo appropriato? Il cavo LAN è collegato correttamente? L'alimentazione dello hub con selettore è attivata? Un dispositivo non necessario è collegato allo hub con selettore?	Impostare [PLAYER No.] su [AUTO] oppure su un numero diversi dal numero correntemente impostato. Collegare il cavo LAN al terminale [LINK] in modo appropriato. Attivare l'alimentazione dello hub con selettore. Scollegare il dispositivo non necessario dallo hub con selettore.
Non vi è alcuna risposta quando di tocca lo schermo o la risposta non è buona. Risponde una posizione diversa da quella effettivamente toccata.	Viene deviata la regolazione della calibrazione del display a sfioramento.	Regolare il display a sfioramento utilizzando le impostazioni di [TOUCH DISPLAY CALIBRATION] nella schermata [UTILITY].

Messaggi di errore

Quando questa unità non può funzionare in modo normale, sul display viene visualizzato un messaggio di errore. Controllare la tabella che segue e prendere le misure indicate. Se venisse visualizzato un codice di errore non indicato in tabella oppure se lo stesso codice di errore appare dopo aver preso l'azione indicata, contattare il negozio di acquisto.

Codice di errore	Tipo di errore	Descrizione errore	Causa e azione
E-8302	CANNOT PLAY TRACK(****)	I dati (file) delle tracce nella periferica USB possono essere letti correttamente.	I dati del brano (file) potrebbero essere corrotti. → Verificare che il brano (file) sia riproducibile con altri lettori, ecc. capaci di riprodurre file dello stesso formato.
E-8304 E-8305	UNSUPPORTED FILE FORMAT	Sono stati caricati file musicali che non possono essere riprodotti normalmente.	Il formato è sbagliato. → Sostituire con file musicali di formato appropriato.

Pulizia del display a sfioramento

Non utilizzare solventi organici, acidi o alcali per la pulizia della superficie del display a sfioramento. Pulire con un panno morbido e asciutto o con un panno imbevuto di detergente neutro e strizzato adeguatamente.

A proposito dei marchi di fabbrica o marchi di fabbrica depositati

- Pioneer DJ è un marchio di PIONEER CORPORATION e viene riportato su licenza. rekordbox è un marchio di fabbrica di Pioneer DJ Corporation.
- Windows è un marchio depositato della Microsoft Corporation negli Stati Uniti ed altri paesi.
- Adobe e Reader sono marchi di fabbrica depositati o marchi di fabbrica della Adobe Systems Incorporated negli Stati Uniti e/o altri paesi.
- ASIO è un marchio di fabbrica della Steinberg Media Technologies GmbH.
- "Made for iPod" e "Made for iPhone" significano che un accessorio elettronico è stato progettato specificamente rispettivamente per il collegamento con l'iPod o l'iPhone ed è stato certificato dal suo sviluppatore corrispondere agli standard operativi stabiliti da Apple. Apple non può essere considerata responsabile di questo dispositivo o della sua osservanza delle norme di sicurezza e dei vari regolamenti. Tenere presente che l'uso di questo accessorio con l'iPod o l'iPhone può peggiorare le prestazioni wireless.



- iPod, iPhone, Mac, e Mac OS sono marchi di fabbrica della Apple Inc., depositati negli U.S.A. ed in altri paesi.
- Android™ è un marchio di fabbrica della Google Inc.
- iOS è un marchio di fabbrica detenuto dalla Cisco negli USA ed altri paesi.
- This software is based in part on the work of the Independent JPEG Group.
Il software di questa unità include software dell'Independent JPEG Group.

I file MP3

Questo prodotto è utilizzabile per fini non di lucro. Esso non è invece utilizzabile per fini commerciali (a fini di lucro) via la trasmissione (terrestre, satellitare, via cavo o di altro tipo), lo streaming su Internet, Intranet (una rete aziendale) o altri tipi di rete o distribuzione elettronica dell'informazione (servizi digitali di distribuzione di musica in linea). Tali usi richiedono licenze apposite. Per dettagli, visitare <http://www.mp3licensing.com>.

- I nomi delle aziende e dei prodotti menzionati sono marchi di fabbrica dei rispettivi proprietari.

Precauzioni sui copyright

rekordbox limita la riproduzione e la copia di contenuti musicali protetti da copyright.

- Quando nei contenuti musicali sono integrati dati codificati, ecc., per la protezione del copyright, il normale funzionamento del programma potrebbe non essere possibile.
- Quando rekordbox rileva che vi sono dati codificati, ecc., per la protezione del copyright integrati nei contenuti musicali, l'elaborazione (riproduzione, lettura, ecc.) potrebbe interrompersi.

Le registrazioni eseguite sono per il godimento personale e secondo le leggi sul copyright non possono essere utilizzate senza il consenso di chi detiene il copyright.

- La musica registrata da CD, ecc., è protetta da leggi sul copyright di paesi individuali e da trattati internazionali. La piena responsabilità per un utilizzo legale ricade sulla persona che ha registrato la musica.
- Quando si tratta con musica scaricata da Internet, ecc., la piena responsabilità che essa venga utilizzata secondo le modalità del contratto col sito di scaricamento ricade sulla persona che ha scaricato tale musica.

Dati tecnici

Adattatore di CA

Alimentazione CA da 100 V a 240 V, 50 Hz/60 Hz
 Corrente dichiarata 0,6 A
 Uscita dichiarata 12 V CC, 2 A
 Consumo di corrente (in attesa) 0,5 W

Dati generali – Unità principale

Consumo di corrente 12 V CC, 1200 mA
 Peso unità principale 2,0 kg
 (Quando non collegato al supporto) 1,7 kg
 Dimensioni esterne 238 mm (L) × 106,3 mm (A) × 307,8 mm (P)
 (Quando non collegato al supporto) 238 mm (L) × 78,8 mm (A) ×
 307,8 mm (P)
 Temperature di funzionamento tollerabili Da +5 °C a +35 °C
 Umidità di funzionamento tollerabile Da 5 % a 85 % (senza condensa)

Uscita audio analogica (AUDIO OUT L/R)

Terminale di uscita Terminale RCA
 Livello in uscita 2,0 Vrms (1 kHz)
 Risposta in frequenza Da 4 Hz a 20 kHz
 Rapporto S/R 115 dB
 Distorsione armonica totale 0,003 %

Sezione USB a valle (USB)

Porta Tipo A
 Alimentazione 5 V/1 A o meno

Sezione USB a monte (USB)

Porta Tipo B

LAN (PRO DJ LINK)

Valutazione 100Base-TX

Display principale

Tipo display Display a cristalli liquidi (LCD) TFT a matrice attiva
 Lingue supportate 18 lingue

- I dati tecnici ed il design di questo prodotto sono soggetti a modifiche senza preavviso.
- © 2015 Pioneer DJ Corporation. Tutti i diritti riservati.

Hartelijk dank voor uw aankoop van dit Pioneer DJ product. Lees deze gebruiksaanwijzing aandachtig door om bekend te raken met de juiste bediening van uw apparaat. Na het doorlezen van de gebruiksaanwijzing dient u deze te bewaren op een veilige plaats, voor latere naslag. In bepaalde landen of gebieden kan de vorm van de netsnoerstekker en het stopcontact verschillen van de afbeeldingen bij de onderstaande uitleg. De aansluitmethode blijft overigens gelijk, evenals de bediening van het apparaat.

LET OP

OM HET GEVAAR VOOR EEN ELEKTRISCHE SHOCK TE VOORKOMEN, DEKSEL (OF RUG) NIET VERWIJDEREN. AAN DE BINNENZIJDE BEVINDEN ZICH GEEN ELEMENTEN DIE DOOR DE GEBRUIKER KUNNEN BEDIEND WORDEN. ENKEL DOOR GEKWALIFICEERD PERSONEEL TE BEDIENEN.

D3-4-2-1-1_B2_NI

WAARSCHUWING

Dit apparaat is niet waterdicht. Om brand of een elektrische schok te voorkomen, mag u geen voorwerp dat vloeistof bevat in de buurt van het apparaat zetten (bijvoorbeeld een bloemenvaas) of het apparaat op andere wijze blootstellen aan waterdruppels, opspattend water, regen of vocht.

D3-4-2-1-3_A1_NI

WAARSCHUWING

Om brand te voorkomen, mag u geen open vuur (zoals een brandende kaars) op de apparatuur zetten.

D3-4-2-1-7a_A1_NI

BELANGRIJKE INFORMATIE BETREFFENDE DE VENTILATIE

Let er bij het installeren van het apparaat op dat er voldoende vrije ruimte rondom het apparaat is om een goede doorstroming van lucht te waarborgen (tenminste 5 cm achter en 5 cm aan de zijkanten van het apparaat).

D3-4-2-1-7d*_A1_NI


Controleer voor gebruik van het product de veiligheidsinformatie aan de onderkant van het apparaat.

D3-4-2-2-4_B1_NI

Dit product voldoet aan de regelgeving betreffende elektromagnetische ruis en interferentie wanneer het is verbonden met andere apparatuur via afgeschermd kabels en aansluitingen. Gebruik uitsluitend de meegeleverde verbindingkabels.

D44-8-2_A1_NI

LET OP

De  schakelaar van dit apparaat koppelt het apparaat niet volledig los van het lichtnet. Aangezien er na het uitschakelen van het apparaat nog een kleine hoeveelheid stroom blijft lopen, moet u de stekker uit het stopcontact halen om het apparaat volledig van het lichtnet los te koppelen. Plaats het apparaat zodanig dat de stekker in een noodgeval gemakkelijk uit het stopcontact kan worden gehaald. Om brand te voorkomen, moet u de stekker uit het stopcontact halen wanneer u het apparaat langere tijd niet denkt te gebruiken (bijv. wanneer u op vakantie gaat).

D3-4-2-2-2a*_A1_NI

Dit apparaat is bestemd voor normaal huishoudelijk gebruik. Indien het apparaat voor andere doeleinden of op andere plaatsen wordt gebruikt (bijvoorbeeld langdurig gebruik in een restaurant voor zakelijke doeleinden, of gebruik in een auto of boot) en als gevolg hiervan defect zou raken, zullen de reparaties in rekening gebracht worden, ook als het apparaat nog in de garantieperiode is.

K041_A1_NI

WAARSCHUWING NETSNOER

Pak het netsnoer beet bij de stekker. Trek de stekker er niet uit door aan het snoer te trekken en trek nooit aan het netsnoer met natte handen aangezien dit kortsluiting of een elektrische schok tot gevolg kan hebben. Plaats geen toestel, meubelstuk o.i.d. op het netsnoer, en klem het niet vast. Maak er nooit een knoop in en verbind het evenmin met andere snoeren. De netsnoeren dienen zo te worden geleid dat er niet per ongeluk iemand op gaat staan. Een beschadigd netsnoer kan brand of een elektrische schok veroorzaken. Controleer het netsnoer af en toe. Wanneer u de indruk krijgt dat het beschadigd is, dient u bij uw dichtstbijzijnde onderhoudscentrum of uw dealer een nieuw snoer te kopen.

S002*_A1_NI

Gebruiksomgeving

Temperatuur en vochtigheidsgraad op de plaats van gebruik:

+5 °C tot +35 °C, minder dan 85 % RH (ventilatieopeningen niet afgedekt)

Zet het apparaat niet op een slecht geventileerde plaats en stel het apparaat ook niet bloot aan hoge vochtigheid of direct zonlicht (of sterke kunstmatige verlichting).

D3-4-2-1-7c*_A1_NI



Deponeer dit product niet bij het gewone huishoudelijk afval wanneer u het wilt verwijderen. Er bestaat een speciaal wettelijk voorgeschreven verzamelsysteem voor de juiste behandeling, het opnieuw bruikbaar maken en de recycling van gebruikte elektronische producten.

In de lidstaten van de EU, Zwitserland en Noorwegen kunnen particulieren hun gebruikte elektronische producten gratis bij de daarvoor bestemde verzamelplaatsen of een verkooppunt (indien u aldaar een gelijkwaardig nieuw product koopt) inleveren.

Indien u zich in een ander dan bovengenoemd land bevindt kunt u contact opnemen met de plaatselijke overheid voor informatie over de juiste verwijdering van het product.

Zodoende zorgt u ervoor dat het verwijderde product op de juiste wijze wordt behandeld, opnieuw bruikbaar wordt gemaakt, gerecycled en het niet schadelijk is voor de gezondheid en het milieu.

K058b_A1_NI

Voordat u begint

Opmerkingen over deze handleiding

Hartelijk dank voor uw aankoop van dit Pioneer DJ product.

U moet zowel dit document als de handleiding lezen! Beide documenten bevatten belangrijke informatie die u moet begrijpen voor u dit product gaat gebruiken.

Na het doorlezen van de gebruiksaanwijzing dient u deze te bewaren op een veilige plaats, voor latere naslag.

- Zie *Verkrijgen van de Handleiding van dit toestel* (blz. 35) voor instructies over hoe u de handleiding kunt verkrijgen.

Kenmerken

Dit apparaat is een DJ-speler, uitgerust met de technologie van de CDJ-serie van Pioneer DJ, de wereldwijde norm voor clubspelers. U kunt hele DJ-optredens samenstellen met tracks, niet alleen op USB-apparaten en computers maar ook op mobiele apparaten (smartphones, enz.). Het toestel is niet alleen uitgerust met een breed scala aan mogelijkheden voor DJ-optredens, inclusief PRO DJ LINK en kwantisering- en beatsynchronisatiefuncties. Het heeft ook een zeer betrouwbaar ontwerp en een gebruiksvriendelijke paneelindeling, en kan dus gebruikt worden voor allerlei soorten DJ-optredens.

Verkrijgen van de Handleiding van dit toestel

Instructies worden soms geleverd als PDF-bestanden. U kunt PDF-bestanden lezen als Adobe® Reader® geïnstalleerd is.

1 Start op de computer een webbrowser op en open de Pioneer DJ-ondersteuningsite hieronder.

<http://pioneerdj.com/support/>

2 Klik op de Pioneer DJ-ondersteuningsite op [Manuals] onder [XDJ-700].

3 Klik op de downloadpagina op de gewenste taal.

Het downloaden van de handleiding zal nu beginnen.

Inhoud van de doos

- Stroomsnoer
- Audiokabel × 1
- LAN-kabel × 1
- Netstroomadapter × 1
- Garantie × 1
- Handleiding (Snelstartgids) (dit document) × 1

De software voorbereiden

De muziekbeheersoftware rekordbox en de stuurprogramma's zijn niet inbegrepen.

Om rekordbox en het stuurprogramma te gebruiken, gaat u naar de site rekordbox en de Pioneer DJ Support-site en downloadt u de software.

- De gebruiker is verantwoordelijk voor het correct voorbereiden van de computer, netwerkapparatuur en andere elementen van de internet-gebruiksomgeving die vereist zijn voor verbinding met het Internet.

Omtrent rekordbox

rekordbox is gecombineerde software voor het beheren van tracks en het uitvoeren van DJ-optredens.

Een uitstekende DJ-prestatie kan worden bereikt door de muziekbestanden die door rekordbox worden beheerd, samen met dit toestel te gebruiken.

❖ Verkrijgen van rekordbox (Mac/Windows)

1 Open uw webbrowser op uw computer en ga naar de site rekordbox.

<http://rekordbox.com/>

2 Klik op [Download] op de site rekordbox en download rekordbox van de downloadpagina.

- Voor hulp of nadere inlichtingen over rekordbox (Mac/Windows) kunt u terecht op de bovengenoemde website.

❖ Omtrent rekordbox (iOS/Android)

Muziekstukken die beheerd worden met rekordbox (iOS/Android) kunnen worden afgespeeld door het mobiele apparaat waarop rekordbox (iOS/Android) is geïnstalleerd via USB te verbinden. Raadpleeg de hieronder vermelde Pioneer DJ website voor ondersteunde apparatuur (<http://pioneerdj.com/support/>). Zie voor instructies met betrekking tot rekordbox (iOS/Android) de handleiding van rekordbox (iOS/Android).

- Zie voor details over het installeren van rekordbox (iOS/Android) de Pioneer DJ website (<http://rekordbox.com/>).

Omtrent het stuurprogramma (Windows)

Dit stuurprogramma is een exclusief ASIO-stuurprogramma voor het weergeven van geluidssignalen via de computer.

- Het installeren van een stuurprogramma is niet nodig wanneer u Mac OS X gebruikt.

❖ Het stuurprogramma verkrijgen

1 Start op de computer een webbrowser op en open de Pioneer DJ-ondersteuningsite hieronder.

<http://pioneerdj.com/support/>

2 Klik op [Software Download] onder [XDJ-700] op de Pioneer DJ-ondersteuningsite.

3 Klik op het pictogram van het stuurprogramma om het te downloaden van de downloadpagina.

- Voor informatie over het installeren van het stuurprogramma, verwijzen we u naar de Pioneer DJ-ondersteuningsite.

Bruikbare media

Dit toestel is compatibel met USB-apparaten voor gegevensopslag, zoals een mobiel flashgeheugen en een digitale audiospeler.

Geschikte bestandssystemen FAT16, FAT32 en HFS+ (NTFS wordt niet ondersteund.)

- Informatie zoals cue-punten, lus-punten en hot-cues, kunnen worden opgeslagen via USB.
- Afhankelijk van het USB-apparaat dat u gebruikt, zult u mogelijk niet altijd de verwachte prestaties kunnen bereiken.
- Er is geen garantie dat alle USB-apparatuur correct zal werken met dit toestel.

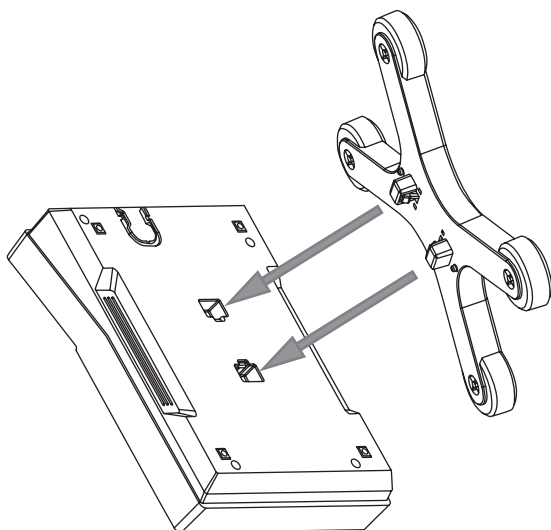
Raadpleeg de handleiding van dit product, zoals gepubliceerd op de Pioneer DJ-ondersteuningsite, voor meer informatie.

De standaard bevestigen

De standaard kan eenvoudig bevestigd en losgemaakt worden. Als u dit toestel naast een oudere DJ-speler of DJ-mengpaneel gebruikt, kunt u het bedieningspaneel op dezelfde hoogte afstellen door de standaard aan dit toestel te bevestigen.

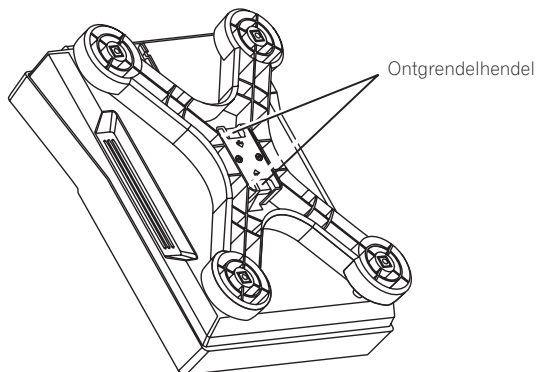
Bevestigen

- 1 Steek de uitstekende delen van de standaard in de daarvoor bedoelde openingen aan de onderkant van dit toestel.
- 2 Duw de standaard aan tot hij op zijn plaats klikt.
- 3 Controleer of de twee ontgrendelhendels stevig op dit toestel gehaakt zitten en niet loszitten.



Verwijderen

- 1 Beweeg de twee ontgrendelhendels onderaan de standaard naar binnen om de vergrendeling op te heffen.
- 2 Verwijder de standaard.



WAARSCHUWING

Het product kan uit uw handen glijpen en vallen als u de ontgrendelhendel ontkoppelt terwijl u het in de hand hebt. Houd het product stevig vast wanneer u de standaard verwijdert.

Aansluitingen

- Schakel altijd eerst de stroom uit en trek de stekker uit het stopcontact alvorens u enige aansluiting maakt of verbreekt.
- Zie tevens de gebruiksaanwijzingen van de aan te sluiten apparatuur.
- Sluit het netnoer pas aan nadat alle aansluitingen tussen de apparatuur volledig zijn gemaakt.

- Bij gebruik van een LAN-kabel voor de verbinding moet u de LAN-kabel die wordt meegeleverd met dit product gebruiken of een STP (Shielded Twisted Pair) kabel.
- Maak niet de LAN-kabel los wanneer er muziekbestanden en/of informatie wordt gedeeld via de PRO DJ LINK.

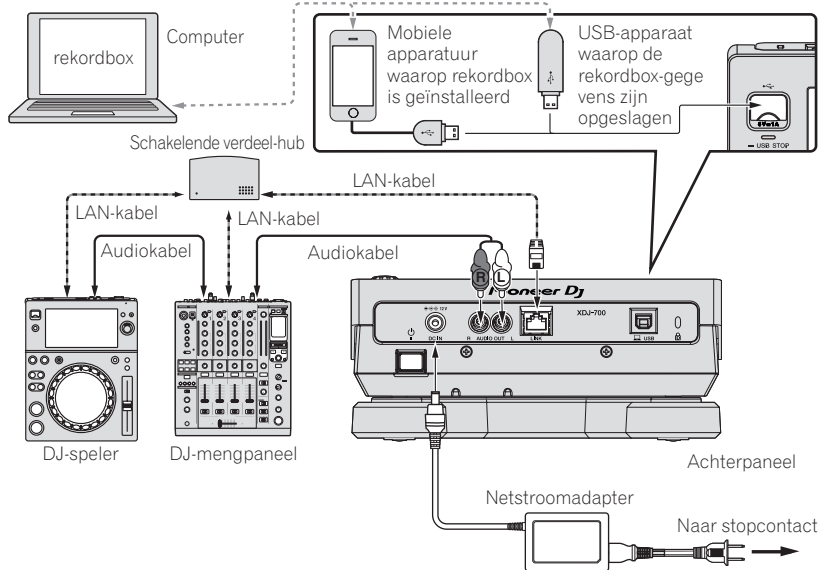
Basisstijl

Dit toestel speelt hoofdzakelijk muziekstukken af die zijn voorbereid met rekordbox geïnstalleerd op een computer.

- Zie voor instructies over het gebruiken van rekordbox de handleiding van rekordbox (Mac/Windows). De handleiding van rekordbox (Mac/Windows) kunt u bekijken via het rekordbox (Mac/Windows) [Help] menu.
- Voor DJ-spelers en DJ-mengpanelen kunnen er maximaal vier PRO DJ LINK-compatibele spelers worden verbonden via LAN-kabels (CAT5e) met PRO DJ LINK-verbindingen.
- Een schakelende verdeler (switching hub, los verkrijgbaar) is mogelijk vereist, afhankelijk van de combinatie van de gebruikte modellen. Gebruik een schakelende verdeel-hub van 100 Mbps of meer. Het is mogelijk dat bepaalde switching hubs niet goed werken. Een schakelende verdeler (switching hub) (los verkrijgbaar) is vereist om een mengpaneel met slechts één LAN-aansluiting aan te kunnen sluiten. Voor mengpanelen met voldoende LAN-aansluitingen voor alle DJ-spelers en computers in het systeem, kunt u de verbinding rechtstreeks, zonder hub, maken op één van de LAN-aansluitingen op het achterpaneel van het mengpaneel.

PRO DJ LINK (USB Export)

- rekordbox muziekbestanden en gegevens kunnen worden uitgewisseld met dit toestel met een geheugenapparaat (flashgeheugen, harde schijf, enz.), zodat u niet uw computer mee hoeft te nemen in uw DJ-booth. Informatie als afspeellijsten, cues, lussen en hot-cues van tevoren ingesteld met rekordbox kunnen worden gebruikt voor het afspelen.



Waarschuwingen

Om het gebruik van beheerfuncties voor muziekbestanden van rekordbox te maximaliseren, past u het spelernummer aan op het kanaal van de audiokabel die in de mixer is geplaatst.

Als het spelernummer anders is, moet u de instelling voor [PLAYER No.] veranderen op het [UTILITY]-scherm.

➤ Voor informatie over het wijzigen van de instellingen van het scherm [UTILITY], raadpleegt u de handleiding voor dit product, zoals gepubliceerd op de Pioneer DJ-ondersteuningsite.

- Wanneer er een opslagapparaat is verbonden met dit toestel, zal [PLAYER No.] grijs worden aangegeven en kunt u dit niet veranderen. Koppel het opslagapparaat of de LAN-kabel los om de verbinding te verbreken en verander vervolgens de instelling.

Bediening

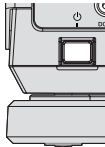
Inschakelen van de stroom

1 Maak alle verbindingen en steek vervolgens de stekker in het stopcontact.

➔ Aansluitingen (blz.37)

2 Druk op de [⏻]-schakelaar.

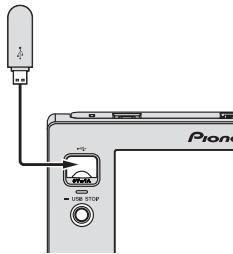
De aanduidingen van dit toestel lichten op en de stroom wordt ingeschakeld.



Aansluiten van USB-apparaten

1 Druk op de [⏻]-schakelaar om dit toestel aan te zetten.

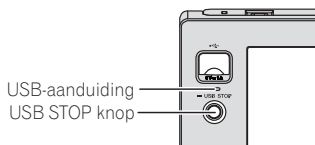
2 Sluit een USB-apparaat aan op de USB-aansluitbus.



Losmaken van USB-apparaten

1 Houd de knop [USB STOP] ingedrukt tot de USB-aanduiding stopt met knippen.

Verwijder het USB-apparaat niet of schakel het apparaat niet uit terwijl de USB-aanduiding knippert. De beheergegevens in het apparaat kunnen verwijderd worden. Het is ook mogelijk dat niet meer kan worden gelezen van het USB-apparaat.



2 Verwijder het USB-apparaat.

Afspelen van media die verbonden zijn met of ingebracht zijn in dit toestel

1 Laad het medium in dit apparaat.

2 Raak [USB] aan.

De muziekstukken of mappen worden getoond in een lijst.



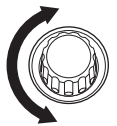
De inhoud van het medium die moet worden weergegeven op het display van het hoofdtoestel, kan worden geschakeld.

- **[USB]**: Toont de inhoud van het aangesloten USB-apparaat en mobiele apparaten.
- Wanneer u **[LINK]** aanraakt, worden andere muziekbestanden in de DJ-speler weergegeven.
- Wanneer u **[rekordbox]** aanraakt, worden muziekbestanden weergegeven in rekordbox.
- Als de rekordbox-bibliotheekinformatie naar het USB-apparaat is geschreven, zal de rekordbox-bibliotheek worden getoond.
➔ Voor informatie over het bladeren door de bibliotheek van rekordbox, raadpleegt u de handleiding voor dit product die op de Pioneer DJ-ondersteuningssite zijn geplaatst.

3 Draai aan de draaiknop.

Verplaats de cursor en selecteer het item.

- Druk de draaiknop in om over te schakelen naar een lager niveau in de map. Druk op de **[BACK]**-toets om terug te keren naar het niveau erboven.



4 Selecteer het muziekstuk en druk dan de draaiknop in.

Wanneer het muziekstuk geladen wordt, schakelt het scherm over naar het normale weergavescherm.

Het medium waarop het muziekstuk is geladen gaat knippen.

- ➔ Voor informatie over een normaal weergavescherm, raadpleegt u de handleiding voor dit product, gepubliceerd op de Pioneer DJ-ondersteuningssite.

Voor informatie over andere bewerkingen, raadpleegt u de handleiding voor dit product, gepubliceerd op de Pioneer DJ-ondersteuningssite.

Aanvullende informatie

Verhelpen van storingen

- Verkeerde bediening kan vaak de oorzaak zijn van een schijnbare storing of foutieve werking. Als u denkt dat er iets mis is met deze apparatuur, moet u de punten hieronder controleren en de **[FAQ]** voor de **[XDJ-700]** op de Pioneer DJ-ondersteuningssite. <http://pioneerdj.com/support/>
Soms ligt de oorzaak van het probleem bij een ander apparaat. Controleer daarom ook de andere componenten en elektrische apparatuur die gebruikt wordt. Als u het probleem niet kunt verhelpen, verzoekt u dan uw dichtstbijzijnde officiële Pioneer onderhoudsdienst of uw vakhandelaar om het apparaat te laten repareren.
- Dit apparaat kan soms niet goed werken vanwege statische elektriciteit of andere externe invloeden. In dat geval kunt u de juiste werking herstellen door de stroom uit te schakelen, 1 minuut te wachten en dan de stroom weer in te schakelen.

Probleem	Controle	Oplossing
Een bestand kan niet worden weergegeven.	Is het bestand kopieerbeveiligd (met DRM)?	Kopieerbeveiligde bestanden zijn niet afspeelbaar.
Er klinkt geen geluid of erg lawaaiig en vervormd geluid.	Bedient u het aangesloten DJ-mengpaneel wel goed?	Controleer de werking van het DJ-mengpaneel.
	Staat dit toestel dicht bij een televisie?	Schakel de televisie uit of zet dit toestel en de televisie verder uit elkaar.
De bestandsgegevens worden niet juist getoond.	Staat [LANGUAGE] juist ingesteld?	Stel [LANGUAGE] in op de gewenste taal.
	Zijn de gegevens opgenomen in een taal waarvoor dit toestel niet geschikt is?	Bij het samenstellen van bestanden met de DJ-software e.d. kunt u de gegevens het best opslaan in een taal die dit toestel ondersteunt.
Het opzoeken van een muziekstuk duurt te lang.	Staat de auto-cue functie wellicht ingeschakeld?	Het opzoeken van muziekstukken kan wel eens lang duren als er lange stille stukken tussen de muziek zijn.
	—	Als het muziekzoeken binnen 10 seconden niet lukt, is er een cue-punt ingesteld aan het begin van het muziekstuk.
De back-cue terugkeerfunctie werkt niet.	Is er een cue-punt ingesteld?	Stel een cue-punt in.
De lus-weergavefunctie werkt niet.	Zijn er lus-punten ingesteld?	Stel lus-punten in.
De instellingen zijn niet in het geheel opgeslagen.	Is de stroom uitgeschakeld kort nadat u de instellingen had gemaakt of gewijzigd?	Na het maken of wijzigen van instellingen dient u tenminste 10 seconden te wachten voordat u de stroom uitschakelt.
Het USB-apparaat wordt niet herkend.	Is het USB-apparaat naar behoren aangesloten?	Steek de stekker stevig helemaal in de aansluitbus.
	Is het USB-apparaat aangesloten via een USB-verdeelhub?	USB-verdeelhubs zijn niet bruikbaar.
	Is het USB-apparaat wel geschikt voor dit toestel?	Deze speler herkent alleen USB-apparaten die bestemd zijn voor gegevensopslag. Deze speler is geschikt voor draagbare flash-geheugensticks en digitale muziekspelers.
	Is het bestandsformaat wel geschikt voor dit toestel?	Controleer het bestandsformaat van het aangesloten USB-apparaat. De bestandsformaten die geschikt zijn voor dit toestel vindt u op <i>Bruikbare media</i> op bladzijde 35.
	—	Schakel de stroom uit en dan weer in.
Cue-punten of lussen worden niet opgeslagen op USB-apparatuur.	Probeert u meer punten op te slaan dan de limiet?	Er kunnen tien cue-punten of lus-punten per muziekstuk worden opgeslagen op een USB-apparaat. Als u probeert meer punten op te slaan dan toegestaan, verschijnt de waarschuwing [CUE/LOOPPOINT FULL] en worden de punten niet opgeslagen. Wis in een dergelijk geval een aantal punten voor u nieuwe opslaat.
	Is het USB-apparaat tegen schrijven beveiligd?	Als het USB-apparaat tegen schrijven is beveiligd, verschijnt de waarschuwing [USB FULL] en worden de punten niet opgeslagen. Schakel de schrijf-beveiliging uit en sla vervolgens de cue- of lus-punten opnieuw op.
	Is er voldoende ruimte op de USB-stick beschikbaar?	Als er niet genoeg vrije ruimte op het USB-apparaat is, zal de melding [USB FULL] verschijnen en kunnen de punten niet worden opgeslagen. Maak voldoende ruimte vrij en sla de cue- of lus-punten opnieuw op.
De cue- of lus-punten in muziekstukken die zijn opgenomen op USB-apparaten worden niet aangegeven.	Was het USB-apparaat correct gestopt voor het de laatste keer losgekoppeld werd?	De punten kunnen niet worden aangegeven als de SD-geheugenkaart/het USB-apparaat wordt verwijderd zonder de juiste uitschakelprocedure te volgen of als dit toestel zonder meer wordt uitgeschakeld. Controleer of de USB-aanduiding niet meer knippert voordat u het USB-apparaat verwijdert of de voeding van het apparaat uitschakelt.
Het afspelen begint niet onmiddellijk nadat u op de toets hebt gedrukt om de lus te herhalen of achteruit af te spelen.	Staat de kwantiseringsfunctie aan?	Wanneer de kwantiseringsfunctie is ingeschakeld, begint het afspelen vanaf de dichtstbijzijnde beatpositie op het moment dat de toets werd ingedrukt. Als u wilt dat de handeling wordt uitgevoerd op het exacte moment dat de toets wordt ingedrukt, dan moet u de kwantiseringsfunctie uitschakelen.
De aanduiding van het afspeeladres verschijnt niet, in de resterende speelduur-aanduiding.	—	Bij het afspelen van bestanden die zijn opgenomen in VBR-formaat bestaat de kans dat het apparaat niet onmiddellijk de lengte van het muziekstuk kan bepalen en dat het even duurt voordat het afspeeladres verschijnt.
Er is tijd voor nodig om de gegevens van USB-apparaten (flash-geheugensticks en harde schijven) te lezen.	Zijn er een groot aantal mappen of bestanden opgenomen op de het USB-apparaat?	Wanneer er veel mappen of bestanden zijn, kan het laden ervan enige tijd vergen.
	Zijn er andere dan muziekbestanden opgenomen op het USB-apparaat?	Wanneer er andere bestanden dan muziekbestanden zijn opgenomen in de mappen, is er tijd voor nodig om die ook te lezen. Sla geen andere bestanden of mappen dan muziekbestanden op in een USB-apparaat.

Probleem	Controle	Oplossing
Het doorbladeren van een bibliotheek lukt niet.	Zijn er op het opslagmedium wel bibliotheekgegevens opgeslagen?	De bibliotheek-doorbladerfunctie is alleen te gebruiken als er een medium met daarop bibliotheekgegevens is geladen. Wanneer er een opslagmedium zonder bibliotheekgegevens wordt geladen, wordt de mappen-doorbladerfunctie ingeschakeld.
De [HISTORY]-lijst wordt niet weergegeven.	Is het USB-apparaat juist aangesloten?	De [HISTORY] is enkel te gebruiken voor DJ-spelers waarop een USB-apparaat is aangesloten.
Er wordt niets aangegeven.	Staat de energiebesparingsfunctie ingeschakeld?	Bij aflevering van dit apparaat staat de energiebesparingsfunctie aan. Als u de energiebesparingsfunctie niet wilt gebruiken, zet u [AUTO STANDBY] op het [UTILITY]-menu op [OFF].
De toonschaal wordt niet weergegeven.	Is het muziekstuk langer dan 15 minuten?	De toonschaal wordt niet weergegeven voor muziekstukken met een afspeeltijd van meer dan 15 minuten.
De PRO DJ LINK-verbinding werkt niet goed.	Zijn de spelernummers juist ingesteld?	Stel [PLAYER No.] in op [AUTO] of op een ander nummer dan het nu gekozen nummer.
	Is de LAN-kabel naar behoren aangesloten?	Zorg dat de LAN-kabel juist is aangesloten op de [LINK]-aansluiting.
	Staat de schakelende verdeel-hub wel ingeschakeld?	Schakel de stroom van de verdeel-hub in.
	Is er wellicht een overbodig apparaat aangesloten op de schakelende verdeel-hub?	Maak het overbodige apparaat los van de schakelende verdeel-hub.
Er is geen reactie als u het scherm aanraakt of de reactie is slecht. Een andere positie dan de werkelijk aangeraakte locatie reageert.	Afwijking van de kalibratieaanpassing van het aanraakscherm.	Pas het aanraakscherm aan met de instellingen [TOUCH DISPLAY CALIBRATION] op het scherm [UTILITY].

Foutmeldingen

Wanneer dit toestel niet normaal werkt, wordt er een foutmelding weergegeven. Controleer de onderstaande tabel en neem de aanbevolen maatregel. Als de foutcode niet vermeld staat in de onderstaande tabel, of als dezelfde foutcode ook na de aanbevolen maatregelen opnieuw verschijnt, raadpleeg dan de handelaar van wie u het toestel hebt gekocht.

Storingscode	Foutmelding (type storing)	Beschrijving van de storing	Oorzaak en oplossing
E-8302	CANNOT PLAY TRACK(****)	Muziekstukgegevens (bestanden) op het USB-apparaat kunnen niet correct worden afgelezen.	De muziekstukgegevens (het bestand) zijn mogelijk verminkt. →Controleer of het muziekstuk (het bestand) wel kan worden afgespeeld op een andere speler enz. die hetzelfde soort formaten aankan als deze speler.
E-8304 E-8305	UNSUPPORTED FILE FORMAT	De geladen muziekbestanden kunnen niet goed worden afgespeeld.	Het formaat is niet juist. →Gebruik muziekbestanden in het juiste formaat.

Het aanraakscherm reinigen

Gebruik geen organische oplosmiddelen, zuren of alkalihoudende stoffen om het oppervlak van het aanraakscherm te reinigen. Veeg het schoon met een droge zachte doek of een doek die is ondergedompeld in een neutraal reinigingsmiddel en goed is uitgewrongen.

Over handelsmerken en gedeponeerde handelsmerken

- Pioneer DJ is een handelsmerk van PIONEER CORPORATION en wordt in licentie gebruikt. rekordbox is een gedeponeerd handelsmerk van Pioneer DJ Corporation.
- Windows is een gedeponeerd handelsmerk van Microsoft Corporation in de Verenigde Staten en andere landen.
- Adobe en Reader zijn handelsmerken of gedeponeerde handelsmerken van Adobe Systems Incorporated in de Verenigde Staten en/of andere landen.
- ASIO is een handelsmerk van Steinberg Media Technologies GmbH.
- "Made for iPod" en "Made for iPhone" wil zeggen dat een elektronische accessoire speciaal ontwikkeld is voor verbinding met respectievelijk een iPod of iPhone en door de maker gewaarborgd is als conform de Apple werkingsnormen. Apple is niet verantwoordelijk voor de werking van dit apparaat en voor het voldoen aan de veiligheidsnormen en wettelijke normen. Houd er rekening mee dat het gebruik van dit accessoire met iPod of iPhone invloed kan hebben op de draadloze prestatie.



- iPod, iPhone, Mac, en Mac OS zijn handelsmerken van Apple Inc., gedeponeerd in de V.S. en andere landen.
- Android™ is een handelsmerk van Google Inc.
- iOS is een handelsmerk waarvan Cisco de handelsmerkrechten bezit in de VS en bepaalde andere landen.
- This software is based in part on the work of the Independent JPEG Group.
De software in dit toestel maakt gedeeltelijk gebruik van software van de onafhankelijke JPEG Group.

Over het gebruiken van MP3-bestanden

Dit product wordt geleverd onder licentie voor toepassing zonder winstbejag. Dit product draagt geen licentie voor commerciële doeleinden (met winstbejag), zoals voor uitzendingen (via zendstations, satelliet, kabel of andere vormen van uitzending), voor streamen over Internet, Intranet (bedrijfsnetwerken) of andere soorten netwerken of verspreiding van elektronische informatie (online digitale muziekverspreidingsdiensten). Voor dergelijke toepassingen zult u een aanvullende licentie moeten verkrijgen. Zie voor nadere details de website <http://www.mp3licensing.com>.

- De hierin vermelde namen van bedrijven en hun producten zijn de handelsmerken van hun respectieve eigenaars.

Waarschuwingen betreffende auteursrechten

Het rekordbox-programma beperkt het afspelen en kopiëren van muziek-materiaal met auteursrechtbescherming.

- Wanneer er gecodeerde gegevens e.d. voor auteursrechtbescherming zijn opgenomen in de muziek, kan het niet altijd mogelijk zijn het programma normaal te gebruiken.
- Wanneer rekordbox waarneemt dat er gecodeerde gegevens e.d. voor auteursrechtbescherming zijn opgenomen in de muziek, kan de bewerking (afspelen, lezen e.d.) tussentijds stoppen.

Opnamen die u hebt gemaakt kunnen slechts dienen voor uw eigen luisterplezier en kunnen onder de auteursrechtwetten niet voor andere doeleinden worden gebruikt zonder toestemming van de auteursrechthouder.

- Muziek die is opgenomen vanaf CD's e.d. wordt beschermd door de auteursrechtwetten van de meeste landen en door internationale verdragen. Het valt onder de verantwoordelijkheid van de persoon die de muziek heeft opgenomen er op toe te zien dat de opnamen op legale wijze worden gebruikt.
- Bij het behandelen van muziek die door downloaden van Internet e.d. is verkregen, is het de volledige verantwoordelijkheid van de persoon die het downloaden heeft verricht er op toe te zien dat de muziek wordt gebruikt in overeenstemming met de voorwaarden van het download-contract.

Specificaties

Netstroomadapter

Stroomvoorziening.....	100 V tot 240 V wisselstroom, 50 Hz/60 Hz
Opgegeven stroomsterkte.....	0,6 A
Opgegeven uitgangsvermogen.....	DC 12 V, 2 A
Stroomverbruik (in de ruststand).....	0,5 W

Algemeen – Hoofdtoestel

Stroomverbruik.....	DC 12 V, 1200 mA
Gewicht hoofdapparaat.....	2,0 kg
(Zonder standaard).....	1,7 kg
Buitenafmetingen.....	238 mm (B) × 106,3 mm (H) × 307,8 mm (D)
(Zonder standaard).....	238 mm (B) × 78,8 mm (H) × 307,8 mm (D)
Toegestane bedrijfstemperatuur.....	+5 °C tot +35 °C
Toegestane luchtvochtigheid.....	5 % tot 85 % (zonder condensatie)

Analoge geluidsuitgangen (AUDIO OUT L/R)

Uitgangsaansluiting.....	Tulpstekkerbussen
Uitgangsniveau.....	2,0 Vrms (1 kHz)
Frequentierespons.....	4 Hz tot 20 kHz
Signaal/ruisverhouding.....	115 dB
Totale harmonische vervorming.....	0,003 %

USB “downstream”-gedeelte (USB)

Aansluitbus.....	Type A
Voeding.....	5 V/1 A of minder

USB “upstream”-gedeelte (USB)

Aansluitbus.....	Type B
------------------	--------

LAN-netwerk (PRO DJ LINK)

Type.....	100Base-TX
-----------	------------

Hoofdscherm

Type scherm.....	Actieve matrix TFT vloeikristallenscherm (LCD)
Beschikbare talen.....	18 talen

- De technische gegevens en het ontwerp van dit product kunnen vanwege voortgaande verbetering zonder voorafgaande kennisgeving worden gewijzigd.
- © 2015 Pioneer DJ Corporation. Alle rechten voorbehouden.

Le damos las gracias por la adquisición de este producto Pioneer DJ. Lea a fondo estas instrucciones de utilización para que aprenda a utilizar correctamente su modelo. Después de haber terminado de leer estas instrucciones, guárdelas en un lugar seguro para, en caso de ser necesario, consultarlas en el futuro.

En algunos países o regiones, la forma de la clavija de alimentación y de la toma de corriente pueden ser algunas veces diferentes de la mostrada en las ilustraciones explicativas. Sin embargo, el método de conexión y funcionamiento de la unidad es el mismo.

PRECAUCIÓN

PARA PREVENIR EL PELIGRO DE CHOQUE ELÉCTRICO NO REMOVER LA TAPA NI LAS PARTES DENTRO NO UTILIZADAS, LLAMAR UNA PERSONA CUALIFICADA.

D3-4-2-1-1_B2_Es

ADVERTENCIA

Este aparato no es impermeable. Para evitar el riesgo de incendio y de descargas eléctricas, no ponga ningún recipiente lleno de líquido (como pueda ser un vaso o un florero) cerca del aparato ni lo exponga a goteo, salpicaduras, lluvia o humedad.

D3-4-2-1-3_A1_Es

ADVERTENCIA

Para evitar el peligro de incendio, no ponga nada con fuego encendido (como pueda ser una vela) encima del aparato.

D3-4-2-1-7a_A1_Es

PRECAUCIÓN PARA LA VENTILACIÓN

Cuando instale este aparato, asegúrese de dejar espacio en torno al mismo para la ventilación con el fin de mejorar la disipación de calor (por lo menos 5 cm detrás, y 5 cm en cada lado).

D3-4-2-1-7d*_A1_Es

Este producto cumple las normas relacionadas con el ruido electromagnético cuando se conecta a otro equipo por medio de cables y conectores blindados. Use sólo los cables de conexión accesorios suministrados.

D44-8-2_A1_Es

Cuando utilice este producto, confirme la información de seguridad mostrada en la parte inferior de la unidad.

D3-4-2-2-4_B1_Es

Entorno de funcionamiento

Temperatura y humedad del entorno de funcionamiento +5 °C a +35 °C; menos del 85 % de humedad relativa (rejillas de refrigeración no obstruidas)

No instale este aparato en un lugar mal ventilado, ni en lugares expuestos a alta humedad o a la luz directa del sol (o de otra luz artificial potente).

D3-4-2-1-7c*_A1_Es



Si desea deshacerse de este producto, no lo mezcle con los residuos generales de su hogar. De conformidad con la legislación vigente, existe un sistema de recogida distinto para los productos electrónicos que requieren un procedimiento adecuado de tratamiento, recuperación y reciclado.


Las viviendas privadas en los estados miembros de la UE, en Suiza y Noruega pueden devolver gratuitamente sus productos electrónicos usados en las instalaciones de recolección previstas o bien en las instalaciones de minoristas (si adquieren un producto similar nuevo).

En el caso de los países que no se han mencionado en el párrafo anterior, póngase en contacto con sus autoridades locales a fin de conocer el método de eliminación correcto.

Al actuar siguiendo estas instrucciones, se asegurará de que el producto de desecho se somete a los procesos de tratamiento, recuperación y reciclaje necesarios, con lo que se previenen los efectos negativos potenciales para el entorno y la salud humana.

K058b_A1_Es

PRECAUCIÓN

El interruptor de la alimentación  de este aparato no corta por completo toda la alimentación de la toma de corriente de CA. Puesto que el cable de alimentación hace las funciones de dispositivo de desconexión de la corriente para el aparato, para desconectar toda la alimentación del aparato deberá desenchufar el cable de la toma de corriente de CA. Por lo tanto, asegúrese de instalar el aparato de modo que el cable de alimentación pueda desenchufarse con facilidad de la toma de corriente de CA en caso de un accidente. Para evitar correr el peligro de incendio, el cable de alimentación también deberá desenchufarse de la toma de corriente de CA cuando no se tenga la intención de utilizarlo durante mucho tiempo seguido (por ejemplo, antes de irse de vacaciones).

D3-4-2-2-2a*_A1_Es

Este producto es para tareas domésticas generales. Cualquiera avería debida a otra utilización que tareas domésticas (tales como el uso a largo plazo para motivos de negocios en un restaurante o el uso en un coche o un barco) y que necesita una reparación hará que cobrarla incluso durante el período de garantía.

K041_A1_Es

PRECAUCIONES CONCERNIENTES A LA MANIPULACIÓN DEL CABLE DE ALIMENTACIÓN

Tome el cable de alimentación por la clavija. No extraiga la clavija tirando del cable. Nunca toque el cable de alimentación cuando sus manos estén mojadas, ya que esto podría causar cortocircuitos o descargas eléctricas. No coloque la unidad, algún mueble, etc., sobre el cable de alimentación. Asegúrese de no hacer nudos en el cable ni de unirlo a otros cables. Los cables de alimentación deberán ser dispuestos de tal forma que la probabilidad de que sean pisados sea mínima. Una cable de alimentación dañado podrá causar incendios o descargas eléctricas. Revise el cable de alimentación está dañado, solicite el reemplazo del mismo al centro de servicio más cercano, o a su distribuidor.

S002*_A1_Es

Antes de comenzar

Cómo leer este manual

Gracias por adquirir este producto Pioneer DJ.

¡Asegúrese de leer este folleto y el manual de instrucciones! Ambos documentos incluyen información importante que usted deberá entender antes de usar este producto.

Después de haber terminado de leer estas instrucciones, guárdelas en un lugar seguro para, en caso de ser necesario, consultarlas en el futuro.

- Para las instrucciones sobre cómo adquirir el manual de instrucciones, vea *Adquisición del Manual de instrucciones de esta unidad* (pág. 43).

Características

Esta unidad es un reproductor de DJ equipado con la tecnología de la serie CDJ de Pioneer DJ, el estándar mundial para reproductores de clubs. Se pueden realizar actuaciones de DJ completas utilizando pistas no solo de dispositivos USB y de ordenadores sino también de dispositivos móviles (teléfonos inteligentes, etc.). No solo está equipado con una amplia gama de funciones para las actuaciones de DJ, incluido PRO DJ LINK, funciones de cuantización y Beat Sync, sino que también tiene un diseño de alta fiabilidad y una disposición del panel que permite una alta operabilidad, ofreciendo por lo tanto una asistencia imprescindible para todo tipo de actuaciones de DJ.

Adquisición del Manual de instrucciones de esta unidad

Las diversas instrucciones se proveen algunas veces como archivos en formato PDF. Para ver archivos en formato PDF, deberá instalarse Adobe® Reader®.

1 Inicie un navegador de Web en el ordenador y acceda al sitio de asistencia Pioneer DJ de abajo.

<http://pioneerdj.com/support/>

2 En el sitio de asistencia Pioneer DJ, haga clic en [Manuals] bajo [XDJ-700].

3 Haga clic en el idioma necesario de la página de descarga.

La descarga del manual de instrucciones empieza.

Contenido de la caja

- Cable de alimentación
- Cable de audio × 1
- Cable LAN × 1
- Adaptador de ca × 1
- Garantía × 1
- Manual de instrucciones (Guía de inicio rápido) (este documento) × 1

Preparación del software

El software de administración de música rekordbox y el software controlador no están incluidos.

Para utilizar rekordbox y el software del controlador, acceda al sitio de rekordbox y al sitio de asistencia Pioneer DJ y descargue el software.

- El usuario es responsable de preparar el ordenador, los aparatos de la red y otros elementos que se usan en el ambiente de Internet y que son necesarios para conectar a Internet.

Acerca de rekordbox

rekordbox es un software compuesto que permite la gestión de pistas y actuaciones de DJ.

Se pueden lograr excelentes actuaciones de DJ utilizando los archivos de música gestionados por rekordbox junto con esta unidad.

❖ Adquisición de rekordbox (Mac/Windows)

1 Abra su navegador Web y entre en el sitio rekordbox.

<http://rekordbox.com/>

2 Haga clic en [Download] desde el sitio de rekordbox y descargue rekordbox de la página de descargas.

- Para obtener información acerca del rekordbox (Mac/Windows), vea el sitio de asistencia indicado más arriba.

❖ Acerca de rekordbox (iOS/Android)

Las pistas administradas por la rekordbox (iOS/Android) se pueden reproducir conectando el aparato portátil en el que está instalado la rekordbox (iOS/Android) por medio de USB. Para conocer los aparatos compatibles, visite el sitio DJ de Pioneer (<http://pioneerdj.com/support/>). Para conocer instrucciones de la rekordbox (iOS/Android), vea el manual del usuario de la rekordbox (iOS/Android).

- Para conocer detalles de la instalación del rekordbox (iOS/Android), consulte el sitio Web de Pioneer DJ (<http://rekordbox.com/>).

Acerca del software controlador (Windows)

Este software controlador es un controlador ASIO exclusivo que se usa para enviar señales de audio desde el ordenador.

- Cuando se usa Mac OS X no es necesario instalar el software controlador.

❖ Obtención del software controlador

1 Inicie un navegador de Web en el ordenador y acceda al sitio de asistencia Pioneer DJ de abajo.

<http://pioneerdj.com/support/>

2 Haga clic en [Software Download] bajo [XDJ-700] en el sitio de asistencia Pioneer DJ.

3 Haga clic en el icono del software controlador para descargar el software controlador desde la página de descarga.

- Para obtener más información sobre cómo instalar el software controlador, visite el sitio de asistencia Pioneer DJ.

Medio utilizable

Esta unidad es compatible con aparatos USB de almacenamiento en masa USB, como las memorias flash portátiles y los reproductores de audio digital.

Sistemas de archivo compatibles	FAT16, FAT32 y HFS+ (NTFS no es compatible.)
---------------------------------	--

- En los dispositivos USB es posible almacenar una gran variedad de información, puntos cue de referencia, puntos de bucle y hot cues.
- Dependiendo del aparato USB que esté usando puede que no logre el rendimiento deseado.
- No hay garantías de que todos los aparatos USB funcionen en esta unidad.

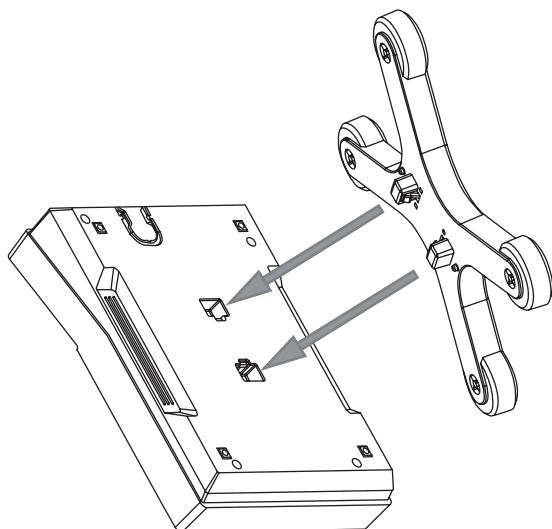
Para obtener más información, consulte el Manual de instrucciones de este producto que está publicado en el sitio de asistencia Pioneer DJ.

Montaje de la base

La base de este producto se puede montar y desmontar fácilmente. Si se utiliza esta unidad colocada al lado de reproductores de DJ o mezcladores de DJ anteriores, puede alinear los paneles de operación al mismo nivel montando la base en esta unidad.

Cómo realizar el montaje

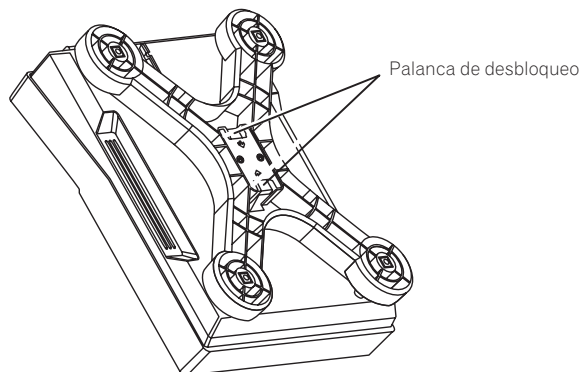
- 1 Inserte las protuberancias de la base en los orificios guía en la parte inferior de esta unidad.
- 2 Empuje la base hasta que encaje en su lugar.
- 3 Compruebe que las dos palancas de desbloqueo estén firmemente enganchadas en esta unidad y que no se suelten.



Cómo desmontar la base

- 1 Mueva las dos palancas de desbloqueo en la parte inferior de la base hacia adentro para soltar el bloqueo.

2 Retire la base.



AVISO

El producto se puede caer si suelta el bloqueo de la palanca de desbloqueo mientras está elevado el producto. Sujete el producto firmemente y retire la base de él.

Conexiones

- Asegúrese de desconectar la alimentación y desenchufar el cable de alimentación de la toma de corriente siempre que haga o cambie conexiones.
 - Consulte el manual de instrucciones del componente que va a ser conectado.
 - Conecte el cable de alimentación después de terminar las conexiones entre los aparatos.
- Cuando se usa un cable LAN para la conexión, asegúrese de usar el cable LAN incluido con este producto o un cable STP (par retorcido blindado).
 - No desconecte el cable LAN cuando se están compartiendo archivos de música y/o información usando PRO DJ LINK.

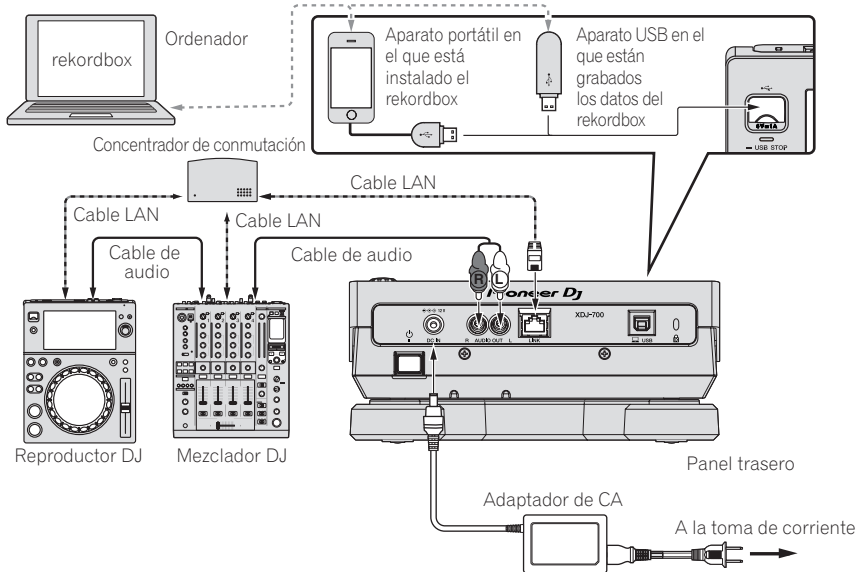
Estilo básico

La reproducción en esta unidad se realiza principalmente usando las pistas preparadas con el rekordbox instalado en un ordenador.

- Para conocer instrucciones de la operación del rekordbox, vea el manual de instrucciones del rekordbox (Mac/Windows). El manual de instrucciones del rekordbox (Mac/Windows) se pueden ver en el rekordbox (Mac/Windows) en el menú [Help].
- Además, para los reproductores y mezcladores DJ, usando las conexiones PRO DJ LINK, con cables LAN (CAT5e) se pueden conectar hasta cuatro reproductores compatibles con PRO DJ LINK.
- Dependiendo de la combinación de modelos usados, puede que sea necesario usar un concentrador de conmutación (de venta en tiendas). Use un concentrador de conmutación de 100 Mbps o más. Algunos concentradores de conmutación pueden no funcionar bien. Para conectar a un mezclador equipado con un solo puerto LAN se necesita un concentrador de conmutación (de venta en tiendas). Para mezcladores con suficientes puertos LAN para todos los reproductores DJ y ordenadores del sistema, conecte directamente a los puertos LAN del panel trasero del mezclador, sin usar un concentrador.

PRO DJ LINK (USB Export)

- Los archivos de música y los datos del rekordbox se pueden intercambiar con esta unidad usando un aparato de memoria (memoria flash, disco duro, etc.), eliminando la necesidad de llevar el ordenador a la cabina del DJ. La información tal como listas de reproducción, cues, bucles y hot cues establecida con antelación con rekordbox se puede usar para la reproducción.



Avisos

Para sacar el máximo partido de las funciones de administración de archivos de música de rekordbox, sincronice el número de reproductor con el canal del cable de audio conectado en el mezclador.

Si el número del reproductor es diferente, cambie el ajuste **[PLAYER No.]** en la pantalla **[UTILITY]**.

➔ Para obtener más información sobre cómo modificar los ajustes de la pantalla **[UTILITY]**, consulte el manual de instrucciones de este producto que está publicado en el sitio de asistencia Pioneer DJ.

- Cuando se conecte un aparato de almacenamiento a esta unidad, **[PLAYER No.]** se visualizará en gris y no se podrá cambiar. Desconecte el aparato de almacenamiento o el cable LAN para apagar el enlace, y luego cambie el ajuste.

Operación

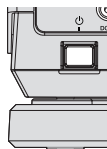
Conexión de la alimentación

1 Haga todas las conexiones y luego conecte el cable de alimentación en una toma de corriente.

➔ Conexiones (pág.45)

2 Pulse el conmutador [⏻].

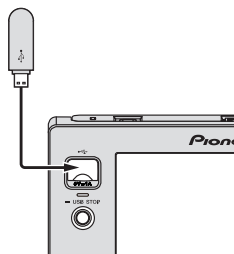
Los indicadores de esta unidad se encienden y se conecta la alimentación.



Conexión de aparatos USB

1 Pulse el conmutador [⏻] para conectar la alimentación de esta unidad.

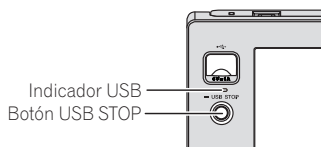
2 Conecte el aparato USB en la ranura de inserción del mismo.



Desconexión de los aparatos USB

1 Presione sin soltar el botón [USB STOP] hasta que el indicador USB deje de parpadear.

No quite el aparato USB ni desconecte la alimentación de la unidad mientras el indicador USB parpadea. Si no sigue esta recomendación, los datos de administración de la unidad pueden eliminarse. Asimismo, el dispositivo USB puede quedar inutilizable.



2 Desconecte el aparato USB.

Medios de reproducción conectados o insertados en esta unidad

1 Cargue el medio en esta unidad.

2 Pulse [USB].

Las pistas o carpetas se visualizan en una lista.

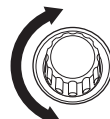


Es posible cambiar el contenido de los medios que se reproducen en la pantalla de la unidad principal.

- [USB]: Reproduce el contenido del aparato USB y de los aparatos portátiles conectados.
- Al pulsar [LINK] se reproducirán los demás archivos de música del reproductor DJ.
- Al pulsar [rekordbox], se reproducirán los archivos de música de rekordbox.
- Si se escribió información de librería rekordbox en el aparato USB, la librería rekordbox se visualiza.
 - ➔ Para obtener más información sobre cómo explorar la biblioteca de rekordbox, consulte el manual de instrucciones de este producto que está publicado en el sitio de asistencia Pioneer DJ.

3 Gire el selector giratorio.

- Mueva el cursor y seleccione el elemento.
- Pulse el selector giratorio para ir a un nivel inferior en la carpeta. Pulse el botón [BACK] para volver al nivel de arriba.



4 Seleccione la pista y pulse el selector giratorio.

Cuando se carga la pista, la pantalla cambia a la de reproducción normal.

El medio en el que se ha cargado la pista parpadea.

- ➔ Para obtener más información sobre la pantalla de reproducción normal, consulte el manual de instrucciones de este producto que está publicado en el sitio de asistencia Pioneer DJ.

Para obtener más información sobre las demás funciones, consulte el manual de instrucciones de este producto que está publicado en el sitio de asistencia Pioneer DJ.

Información adicional

Solución de problemas

- La operación incorrecta se confunde a menudo con un problema o un fallo de funcionamiento. Si piensa que algo no funciona bien con este componente, verifique los puntos de abajo y las **[FAQ]** para el **[XDJ-700]** en el sitio de asistencia Pioneer DJ.
<http://pioneerdj.com/support/>
Algunas veces, el problema puede estar en otro componente. Inspeccione los otros componentes y los aparatos eléctricos que esté utilizando. Si no se puede rectificar el problema, pida al servicio de Pioneer autorizado más cercano o a su concesionario que realice el trabajo de reparación.
- Esta unidad puede no funcionar bien debido a la electricidad estática o a otras influencias externas. En este caso, el funcionamiento apropiado se puede restaurar desconectando la alimentación, esperando 1 minuto y volviendo a conectar la alimentación.

Problema	Verificación	Remedio
No se puede reproducir un archivo.	¿Está protegido el archivo por derechos de autor (por DRM)?	Los archivos protegidos por derechos de autor no se pueden reproducir.
No se produce sonido, o éste está distorsionado o tiene ruido.	¿Está utilizando bien el mezclador DJ conectado?	Verifique el funcionamiento del mezclador DJ.
	¿Está esta unidad cerca de un TV?	Apague el TV o instale esta unidad y el TV alejados el uno del otro.
La información de archivo no se visualiza bien.	¿Está bien ajustado [LANGUAGE] ?	Ponga [LANGUAGE] en el idioma apropiado.
	¿No es compatible con esta unidad la información grabada en un idioma?	Cuando se crean archivos usando el software DJ, etc., grabe la información en un idioma compatible con esta unidad.
La búsqueda de pistas tarda demasiado tiempo.	¿Está activada la función cue automático?	La búsqueda de pistas puede tardar algo cuando éstas tienen secciones de silencio largas entre ellas.
	—	Si no se puede hacer la búsqueda dentro de 10 segundos se establece un punto cue al comienzo de la pista.
La función de retroceso de cue no funciona.	¿Está establecido el punto cue?	Establezca un punto cue.
La función de reproducción de bucle no funciona.	¿Están establecidos los puntos de bucle?	Establezca los puntos de bucle.
La configuración no se guarda en la memoria.	¿Se ha desconectado la alimentación directamente después de cambiar la configuración?	Después de cambiar la configuración, espere un mínimo de 10 segundos antes de desconectar la alimentación.
No se reconoce el aparato USB.	¿Está bien conectado el aparato USB?	Conecte el aparato firmemente (hasta el fondo).
	¿Está el aparato USB conectado a través de un concentrador USB?	No se pueden usar concentradores USB.
	¿Es el aparato USB compatible con esta unidad?	Este reproductor sólo soporta aparatos de la clase de almacenamiento en masa USB. Este reproductor soporta memorias flash portátiles y aparatos de reproducción de audio digital.
	¿Es el formato de archivo compatible con esta unidad?	Verifique el formato de archivo del aparato USB conectado. Para los formatos de archivo compatibles con esta unidad, vea <i>Medio utilizable</i> en la página 44.
Los puntos cue o los bucles no se guardan en un aparato USB.	—	Desconecte la alimentación y vuelva a conectarla.
	¿Está intentando guardar más puntos que el límite?	Es posible almacenar hasta puntos cue de referencia o puntos de bucle por pista en un aparato USB. Si intenta guardar más puntos que el límite, se visualiza [CUE/LOOPPOINT FULL] y los puntos no se pueden grabar. En este caso, elimine algunos puntos antes de guardar nuevos.
	¿Está protegido contra escritura el aparato USB?	Si el aparato USB está protegido contra la escritura se visualiza [USB FULL] y los puntos no se pueden guardar. Desactive la protección contra escritura y luego guarde de nuevo los puntos de cue o bucle.
¿Hay suficiente espacio libre en el aparato USB?	—	Si no hay suficiente espacio libre en el aparato USB se visualiza [USB FULL] y los puntos no se pueden guardar. Deje algo de espacio libre y luego guarde de nuevo los puntos de cue y bucle.
	¿Fue parado correctamente el aparato USB cuando se desconectó la última vez?	Los puntos pueden no visualizarse si la tarjeta de memoria SD/aparato USB se retira sin realizar el procedimiento de parada apropiado o si la alimentación de esta unidad está desconectada. Asegúrese de que el indicador USB ha dejado de parpadear antes de quitar el aparato USB o desconectar la alimentación de la unidad.
Los puntos cue o los de bucle de las pistas grabadas en aparatos USB no se visualizan.	¿Fue parado correctamente el aparato USB cuando se desconectó la última vez?	Los puntos pueden no visualizarse si la tarjeta de memoria SD/aparato USB se retira sin realizar el procedimiento de parada apropiado o si la alimentación de esta unidad está desconectada. Asegúrese de que el indicador USB ha dejado de parpadear antes de quitar el aparato USB o desconectar la alimentación de la unidad.
La reproducción no empieza inmediatamente después de pulsar el botón para hacer rebucles o reproducción en retroceso.	¿Está activada la función de cuantización?	Cuando la función de cuantización está activada, la reproducción empieza desde la posición de tiempo de compás más próxima en el momento de pulsarse el botón. Si quiere que la operación se realice en el instante que se pulsa el botón, desactive la función de cuantización.
La visualización de la dirección de reproducción no se visualiza en el modo de tiempo restante.	—	Cuando se reproducen archivos grabados en VBR, puede que el aparato no detecte inmediatamente la duración de la pista y que se necesite algo de tiempo para que aparezca la visualización de la dirección de reproducción.
Se necesita tiempo para leer los aparatos USB (unidades de memoria flash y discos duros).	¿Hay un número grande de carpetas o archivos grabado en el aparato USB?	Cuando haya muchas carpetas o archivos se necesitará algo de tiempo para hacer la carga.
	¿Hay otros archivos que no son de música grabados en el aparato USB?	Cuando se graban en carpetas archivos que no son de música también se necesita tiempo para leerlos. No guarde archivos o carpetas que no sean de música en el aparato USB.

Problema	Verificación	Remedio
El examen de librería no es posible.	¿Está cargado un medio en el que se ha grabado información de librería?	El modo de examen de librería sólo se establece cuando se cargan medios en los que se ha grabado información de librería. Cuando se carga un medio en el que no se ha grabado información de librería se establece el modo de examen de carpeta.
[HISTORY] no se visualiza.	¿Está cargado un aparato USB?	La función [HISTORY] sólo se puede usar para reproductores DJ en los que se ha cargado un aparato USB.
No se visualiza nada.	¿Está activada la función de espera automática?	Esta unidad sale de fábrica con la función de espera automática activada. Si no quiere usar la función de espera automática, ponga [AUTO STANDBY] en el menú [UTILITY] en [OFF].
La escala no se visualiza.	¿Dura la pista más de 15 minutos?	La escala no se visualiza para pistas cuyo tiempo de reproducción es superior a 15 minutos.
PRO DJ LINK no funciona bien.	¿Están bien puestos los números del reproductor?	Ponga [PLAYER No.] en [AUTO] o en otro número diferente del que está actualmente puesto.
	¿Está bien conectado el cable LAN?	Conecte bien el cable LAN al terminal [LINK].
	¿Está conectada la alimentación del concentrador de conmutación?	Conecte la alimentación del concentrador de conmutación.
	¿Está un aparato innecesario conectado al concentrador de conmutación?	Desconecte el aparato innecesario del concentrador de conmutación.
Cuando toca la pantalla no obtiene ninguna respuesta o la respuesta no es la correcta. La respuesta obtenida procede de un lugar diferente a la ubicación seleccionada.	Se han alterado los ajustes de calibración de la pantalla táctil.	Ajuste la pantalla táctil a través de los ajustes [TOUCH DISPLAY CALIBRATION] de la pantalla [UTILITY].

Mensaje de error

Cuando esta unidad no funciona normalmente, aparece un código de error en la pantalla. Consulte la tabla de abajo y tome las medidas indicadas. Si se visualiza un código de error que no se muestra en la tabla de abajo, o si el mismo código de error se visualiza de nuevo después de tomar la medida indicada, póngase en contacto con la tienda donde compró el aparato.

Código de error	Tipo de error	Descripción del error	Causa y medidas a tomar
E-8302	CANNOT PLAY TRACK(****)	Los datos de las pistas (archivos) del dispositivo USB no se pueden leer correctamente.	Los datos de las pistas (archivos) pueden estar corrompidos. → Verifique si las pistas (archivos) se pueden reproducir en otro reproductor, etc, capaz de reproducir los mismos formatos que esta unidad.
E-8304 E-8305	UNSUPPORTED FILE FORMAT	Se cargan archivos de música que no se puede reproducir normalmente.	El formato está equivocado. → Emplee archivos de música que estén en el formato correcto.

Limpieza de la pantalla táctil

No utilice disolventes, ácidos o álcalis orgánicos para limpiar la superficie de la pantalla táctil. Pase un paño húmedo o empapado con detergente neutro y perfectamente escurrido.

Acerca de las marcas de fábrica y marcas registradas

- Pioneer DJ es una marca comercial de PIONEER CORPORATION y está bajo licencia. rekordbox es una marca registrada de Pioneer DJ Corporation.
- Windows es una marca registrada de Microsoft Corporation en los Estados Unidos y en otros países.
- Adobe y Reader son marcas registradas o marcas de fábrica de Adobe Systems Incorporated en los Estados Unidos y/o en otros países.
- ASIO es una marca de fábrica de Steinberg Media Technologies GmbH.
- "Made for iPod" y "Made for iPhone" significan que un accesorio electrónico ha sido diseñado para ser conectado específicamente a un iPod o a un iPhone, respectivamente, y ha sido homologado por quien lo desarrolló para cumplir con las normas de funcionamiento de Apple. Apple no es responsable del funcionamiento de este aparato ni de que cumpla con las normas de seguridad y reguladoras. Tenga presente que el empleo de este accesorio con un iPod o iPhone puede afectar la operación inalámbrica.



- iPod, iPhone, Mac, e Mac OS son marcas comerciales de Apple Inc., registradas en los EE.UU. y en otros países.
- Android™ es una marca de fábrica de Google Inc.
- iOS es una marca de fábrica de la que Cisco tiene el derecho de marca en los EE.UU. y en otros países.
- This software is based in part on the work of the Independent JPEG Group.
El software de esta unidad usa en parte software del Grupo JPEG Independiente.

Acerca del uso de archivos MP3

Este producto cuenta con licencia para ser usado sin fines de lucro. Este producto no tiene licencia para ser usado con fines comerciales (con fines de lucro) como, por ejemplo, en emisiones (terrestres, por satélite, por cable u otros tipos de emisiones), streaming en Internet, Intranet (un red corporativa) u otros tipos de redes, ni para distribuir información electrónica (servicio de distribución de música digital en línea). Para tales usos necesita adquirir las licencias correspondientes. Para conocer detalles, visite <http://www.mp3licensing.com>.

- Los nombres de compañías y productos mencionados aquí son marcas de fábrica de sus respectivos propietarios.

Cuidados para los derechos de autor

rekordbox restringe la reproducción y duplicación del contenido de música protegido por derechos de autor.

- Cuando hay datos codificados, etc. para proteger los derechos de autor embebidos en el contenido de música, puede no ser posible utilizar el programa normalmente.
- Cuando el rekordbox detecta datos codificados, etc. para proteger los derechos de autor embebidos en el contenido de música, el proceso (reproducción, lectura, etc.) puede parar.

Las grabaciones que usted ha hecho son para su uso personal y, según las leyes de los derechos de autor, no se pueden usar sin el consentimiento del propietario de tales derechos.

- La música grabada de CD, etc., está protegida por las leyes de los derechos de autor de países individuales, y también por tratados internacionales. La persona que ha grabado la música es la responsable de asegurar que ésta se use legalmente.
- Cuando maneje música descargada de Internet, etc., la persona que la haya descargado será la responsable de asegurar que ésta se use según el contrato concluido con el sitio de la descarga.

Especificaciones

Adaptador de CA

Alimentación..... CA 100 V a 240 V, 50 Hz/60 Hz
Corriente nominal 0,6 A
Salida nominal CC 12 V, 2 A
Consumo de energía (modo de espera) 0,5 W

General – Unidad principal

Consumo de energía..... CC 12 V, 1200 mA
Peso de la unidad principal 2,0 kg
(Cuando no está montada la base) 1,7 kg
Dimensiones externas..... 238 mm (An) × 106,3 mm (Al) × 307,8 mm (Pr)
(Cuando no está montada la base) 238 mm (An) × 78,8 mm (Al)
× 307,8 mm (Pr)
Temperatura de funcionamiento tolerable..... +5 °C a +35 °C
Humedad de funcionamiento tolerable 5 % a 85 % (sin condensación)

Salida de audio analógico (AUDIO OUT L/R)

Terminal de salida..... Terminal RCA
Nivel de salida 2,0 Vrms (1 kHz)
Respuesta de frecuencia..... 4 Hz a 20 kHz
Relación señal/ruido..... 115 dB
Distorsión armónica total..... 0,003 %

Sección descendente de USB (USB)

Puerto Tipo A
Fuente de alimentación 5 V/1 A o menos

Sección ascendente de USB (USB)

Puerto Tipo B

LAN (PRO DJ LINK)

Clasificación..... 100Base-TX

Pantalla principal

Tipo de pantalla..... Pantalla de cristal líquido TFT de matriz activa (LCD)
Idiomas disponibles..... 18 idiomas

- Las especificaciones y diseño de este producto están sujetos a cambios sin previo aviso.
- © 2015 Pioneer DJ Corporation. Todos los derechos reservados.

Obrigado por adquirir este produto da Pioneer DJ. Leia atentamente estas instruções de funcionamento de modo a saber como utilizar correctamente o seu modelo. Após terminar de ler as instruções, coloque-as num local seguro para futura referência.

Em alguns países ou regiões, a forma da ficha de alimentação e da tomada por vezes podem diferir das apresentadas nos desenhos explicativos. Contudo, o método para ligar e utilizar a unidade é o mesmo.

CUIDADO

PARA PREVENIR O PERIGO DE CHOQUE ELÉTRICO, NÃO REMOVA A COBERTURA (NEM A PARTE POSTERIOR). NÃO EXISTEM NO INTERIOR PEÇAS REPARÁVEIS PELO UTILIZADOR. A MANUTENÇÃO DEVE SER EFETUADA POR PESSOAL ESPECIALIZADO.

D3-4-2-1-1_B1_Pt

AVISO

Este aparelho não é à prova de água. Para prevenir o perigo de incêndio ou choque elétrico, não coloque perto dele recipientes contendo líquidos (tais como uma jarra ou um vaso de flores) nem o exponha a pingos, salpicos, chuva ou humidade.

D3-4-2-1-3_A1_Pt

AVISO

Para prevenir o perigo de incêndio, não coloque fontes de chamas nuas (tais como uma vela acesa) sobre o aparelho.

D3-4-2-1-7a_A1_Pt

CUIDADOS COM A VENTILAÇÃO

Quando instalar esta unidade, certifique-se de que deixa espaço em torno da unidade para ventilação de modo a melhorar a radiação térmica (pelo menos 5 cm atrás e 5 cm de cada lado).

D3-4-2-1-7d*_A1_Pt

Ambiente de funcionamento

Temperatura e humidade do ambiente de funcionamento:

+5 °C a +35 °C; humidade relativa inferior a 85 % (respiradouros de refrigeração não bloqueados)


Não instale o aparelho num espaço insuficientemente arejado ou em locais expostos a uma humidade elevada ou a luz solar direta (ou a iluminação artificial intensa).

D3-4-2-1-7c*_A1_Pt

Ao utilizar este produto, verifique as informações de segurança indicadas na sua base.

D3-4-2-2-4_B1_Pt

CUIDADO

O botão  do aparelho não o desliga completamente da energia fornecida pela tomada CA. Uma vez que o cabo de alimentação serve como o principal dispositivo de desconexão, será necessário desligá-lo da tomada para desligar toda a alimentação. Por isso, verifique se a unidade foi instalada de forma que o cabo de alimentação possa ser facilmente desligado da tomada CA, em caso de acidente. Para prevenir o risco de incêndio, deverá desligar igualmente o cabo de alimentação de energia da tomada CA quando o aparelho não for utilizado durante um período prolongado (por exemplo, durante um período de férias).

D3-4-2-2-2a*_A1_Pt

Este produto destina-se a utilização doméstica geral. A reparação de qualquer avaria devida a utilizações fora desse âmbito (como, por exemplo, utilização prolongada num restaurante, para efeitos comerciais, ou utilização num automóvel ou num barco) será cobrada, ainda que dentro da garantia.

K041_A1_Pt

AVISO SOBRE O CABO DE ALIMENTAÇÃO

Manuseie o cabo de alimentação através da ficha. Não retire a ficha puxando o cabo e nunca toque no cabo de alimentação com as mãos húmidas, pois pode provocar um curto-circuito ou choque elétrico. Não coloque a unidade, um móvel, etc., sobre o cabo de alimentação nem trilhe o cabo. Nunca faça um nó no cabo nem o amarre a outros cabos. Os cabos de alimentação devem ser encaminhados de modo a não serem pisados. Um cabo de alimentação danificado pode provocar um incêndio ou um choque elétrico. Verifique periodicamente o cabo de alimentação. Quando estiver danificado, solicite um cabo de alimentação de substituição junto do seu revendedor ou centro de assistência.

S002*_A1_Pt

Este produto está em conformidade com os regulamentos de ruído eletromagnético quando ligado a outro equipamento através de fichas e cabos blindados. Utilize apenas os cabos de ligação de acessórios fornecidos.

D44-8-2_A1_Pt



Se quiser eliminar este produto, não o misture com resíduos domésticos gerais. Existe um sistema de recolha separado para produtos eletrónicos usados de acordo com a legislação que requer tratamento, recuperação e reciclagem adequados.

Os consumidores dos Estados-membros da UE, da Suíça e da Noruega podem entregar equipamentos eletrónicos fora de uso em determinadas instalações de recolha ou a um retalhista (se adquirirem um equipamento novo similar).

Nos países não mencionados acima, informe-se sobre o método de eliminação correto junto das autoridades locais.

Ao fazê-lo estará a garantir que o produto que já não tem utilidade para si é submetido a processos de tratamento, recuperação e reciclagem adequados, evitando-se assim potenciais efeitos negativos para o ambiente e a saúde humana.

K058b_A2_Pt

Antes de começar

Como ler este manual

Obrigado por adquirir este produto da Pioneer DJ.

Certifique-se de que lê a parte inferior deste panfleto e as instruções de funcionamento! Ambos os documentos incluem informações importantes que deve compreender antes de utilizar este produto.

Após terminar de ler as instruções, coloque-as num local seguro para futura referência.

- Para obter instruções sobre a aquisição das instruções de funcionamento, consulte *Adquirir o Manual de instruções desta unidade* (pág. 51).

Características

Esta unidade é um leitor de DJ equipado com a tecnologia da série CDJ para DJs da Pioneer, o padrão mundial em termos de leitores para clubes. É possível realizar atuações de DJ completas utilizando faixas que se encontram não só em dispositivos USB e computadores, como também em dispositivos móveis (smartphones, etc.). Não está apenas equipada com uma vasta gama de funções para atuações de DJ, incluindo as funcionalidades PRO DJ LINK e de quantificação e sincronização de batidas, como também possui um design com uma fiabilidade elevada e uma disposição do painel com funcionalidade elevada, oferecendo por isso um suporte avançado para todos os tipos de atuações de DJ.

Adquirir o Manual de instruções desta unidade

Por vezes, algumas instruções são fornecidas sob a forma de ficheiros em formato PDF. O programa Adobe® Reader® deve estar instalado de modo a poder visualizar ficheiros em formato PDF.

1 Inicie um browser Web no computador e aceda ao site de suporte da Pioneer DJ abaixo.

<http://pioneerdj.com/support/>

2 No site de suporte da Pioneer DJ, clique em [Manuals] em [XDJ-700].

3 Clique no idioma pretendido na página de transferência.

A transferência das instruções de funcionamento inicia.

Conteúdo da embalagem

- Cabo de alimentação
- Cabo de áudio × 1
- Cabo LAN × 1
- Transformador de CA × 1
- Garantia × 1
- Manual de instruções (Guia de início rápido) (Este documento) × 1

Preparar o software

O software de gestão de música rekordbox e o software controlador não estão incluídos.

Para utilizar o rekordbox e o software controlador, aceda ao site rekordbox e ao site de suporte da Pioneer DJ e transfira o software.

- O utilizador é responsável por preparar o computador, dispositivos de rede ou outros elementos do ambiente de utilização da Internet necessários para efetuar uma ligação à Internet.

Sobre o rekordbox

O rekordbox é um software composto que permite a gestão de faixas e as atuações de DJ.

É possível atingir um excelente desempenho de DJ utilizando os ficheiros de música geridos pelo rekordbox em conjunto com esta unidade.

❖ Adquirir o rekordbox (Mac/Windows)

1 Abra o navegador Web no seu computador e aceda ao site rekordbox.

<http://rekordbox.com/>

2 Clique em [Download] no site rekordbox e transfira o rekordbox a partir da página de transferência.

- Para questões relativas ao rekordbox (Mac/Windows), consulte o site de suporte indicado acima.

❖ Sobre o rekordbox (iOS/Android)

As faixas geridas através do rekordbox (iOS/Android) podem ser reproduzidas ligando o dispositivo móvel no qual o rekordbox (iOS/Android) está instalado por USB. Para obter uma lista com os dispositivos suportados, consulte o Website da Pioneer DJ (<http://pioneerdj.com/support/>). Para obter instruções sobre o rekordbox (iOS/Android), consulte o manual do utilizador do rekordbox (iOS/Android).

- Para obter informações sobre como instalar o rekordbox (iOS/Android), consulte o site Web da Pioneer DJ (<http://rekordbox.com/>).

Acerca do software controlador (Windows)

Este software controlador é um controlador ASIO exclusivo para emitir sinais de áudio a partir do computador.

- Não é necessário instalar o software controlador ao utilizar Mac OS X.

❖ Obter o software controlador

1 Inicie um browser Web no computador e aceda ao site de suporte da Pioneer DJ abaixo.

<http://pioneerdj.com/support/>

2 Clique em [Software Download] em [XDJ-700] no site de suporte da Pioneer DJ.

3 Clique no ícone do software controlador para o transferir a partir da página de transferência.

- Para obter informações sobre a instalação do software controlador, consulte o site de suporte da Pioneer DJ.

Suportes que podem ser utilizados

Esta unidade é compatível com dispositivos USB do tipo armazenamento de massa USB, tais como, unidades de memória flash e leitores de áudio digital.

Sistemas de arquivos suportados FAT16, FAT32 e HFS+ (NTFS não suportado.)

- É possível armazenar informações através de USB como, por exemplo, cue points, loops points e hot cues.
- Dependendo do dispositivo USB utilizado, pode não obter o desempenho esperado.
- Não existem garantias de que todos os dispositivos USB irão funcionar nesta unidade.

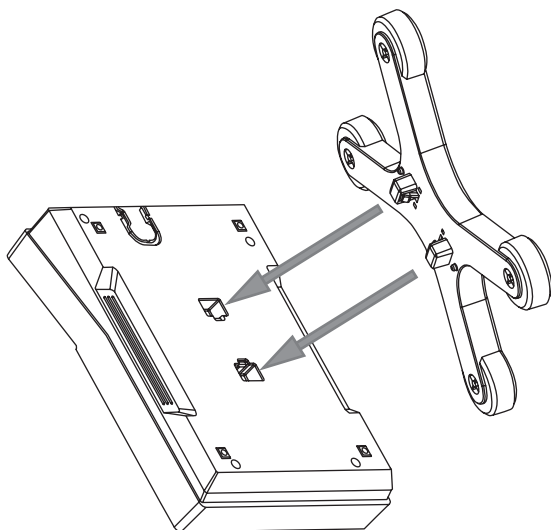
Para obter mais informações, consulte o Manual de instruções deste produto publicado no site de suporte da Pioneer DJ.

Montar a base

Pode montar e retirar facilmente a base neste/deste produto. Se utilizar esta unidade posicionada lado a lado com modelos anteriores de leitores de DJ ou misturadores de DJ, pode alinhar os painéis de funcionamento ao mesmo nível montando a base nesta unidade.

Como montar

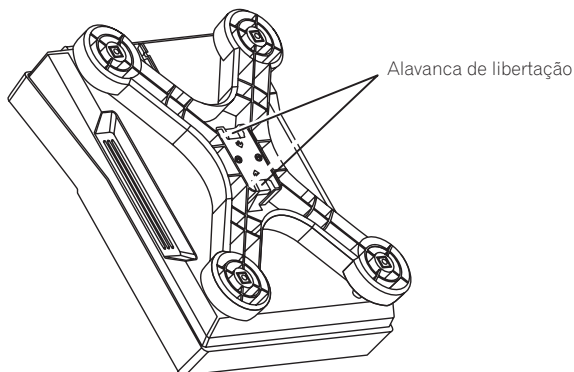
- 1 Introduza as saliências da base nos orifícios guia existentes na parte inferior desta unidade.
- 2 Exerça pressão sobre a base até a encaixar.
- 3 Verifique se as duas alavancas de libertação estão firmemente presas nesta unidade e certifique-se de que não estão em posição de libertação.



Como retirar

- 1 Desloque para dentro as duas alavancas de libertação existentes na parte inferior da base para as libertar (desbloquear).

2 Retire a base.



ADVERTÊNCIA

Poderá deixar cair o produto se libertar (desbloquear) uma alavanca de libertação enquanto o produto está a ser levantado. Segure firmemente no produto e retire a base.

Ligações

- Certifique-se de desligar a energia e desligar o fio da tomada sempre que fizer ou mudar as conexões.
- Consulte as instruções de funcionamento do componente a ligar.
- Ligue o fio elétrico depois de terminar de fazer todas as conexões entre os dispositivos.

- Quando utilizar um cabo LAN para efetuar a ligação, certifique-se de que utiliza o cabo LAN incluído com este produto ou um cabo STP (par trançado blindado).
- Não desligue o cabo LAN quando estiverem a ser partilhados ficheiros de música e/ou informações utilizando a função PRO DJ LINK.

Estilo básico

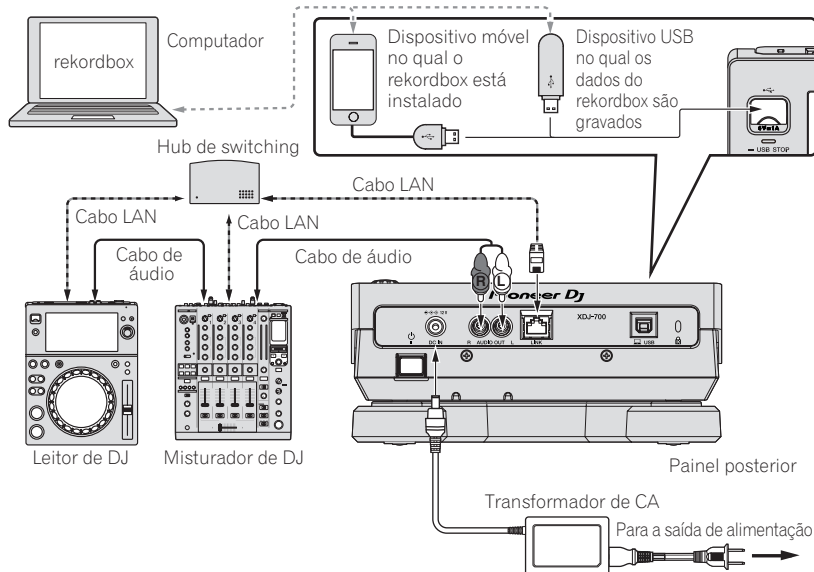
A reprodução nesta unidade é efetuada utilizando principalmente faixas preparadas através do rekordbox instalado num computador.

- Para obter instruções sobre como utilizar o rekordbox, consulte as instruções de funcionamento do rekordbox (Mac/Windows). É possível visualizar as instruções de funcionamento do rekordbox (Mac/Windows) a partir do menu rekordbox (Mac/Windows) [Help].
- Além disso, relativamente a leitores de DJ e misturadores de DJ, podem ser ligados até quatro leitores compatíveis com PRO DJ LINK através de cabos LAN (CAT5e) utilizando ligações PRO DJ LINK.
- Pode ser necessário um hub de switching (comercializado ao público), dependendo da combinação de modelos utilizados. Utilize um hub de switching de 100 Mbps ou superior. Alguns hubs de switching podem não funcionar corretamente.

É necessário um hub de switching (comercializado ao público) para ligar a um misturador equipado com apenas uma porta LAN. Para misturadores com portas LAN suficientes para todos os leitores de DJ e computadores no sistema, ligue diretamente às portas LAN no painel posterior do misturador sem utilizar um hub.

PRO DJ LINK (Exportação USB)

- Os dados e ficheiros de música do rekordbox podem ser transferidos desta unidade utilizando um dispositivo de memória (memória flash, disco rígido, etc.), eliminando a necessidade da existência de um computador na cabine de DJ. Informações como listas de reprodução, cues, loops e hot cues definidas previamente através do rekordbox podem ser utilizadas para reprodução.



Cuidados

Para maximizar a utilização das funções de gestão de música do rekordbox, faça coincidir o número do leitor com o canal do cabo de áudio introduzido no misturador.

Se o número do leitor for diferente, altere a definição [PLAYER No.] no ecrã [UTILITY].

➔ Para obter informações sobre a alteração das definições do ecrã [UTILITY], consulte o Manual de instruções deste produto publicado no site de suporte da Pioneer DJ.

- Quando um dispositivo de armazenamento está ligado a esta unidade, o [PLAYER No.] é exibido a cinzento e não pode ser alterado. Desligue o dispositivo de armazenamento ou o cabo LAN para desativar a ligação e, em seguida, altere a definição.

Funcionamento

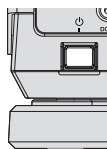
Ligar a alimentação

1 Efetue todas as ligações e, em seguida, ligue o cabo de alimentação a uma tomada.

➔ *Ligações* (pág.53)

2 Prima o interruptor [⏻].

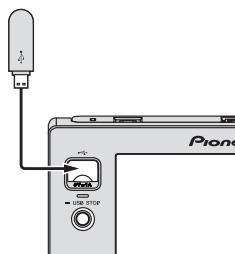
Os indicadores da unidade acendem-se e a alimentação é ligada.



Ligar dispositivos USB

1 Prima o interruptor [⏻] para ligar a alimentação da unidade.

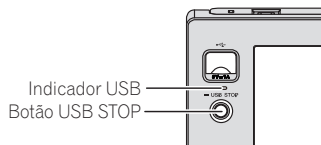
2 Ligue o dispositivo USB à ranhura de inserção de dispositivos USB.



Desligar dispositivos USB

1 Mantenha premido o botão [USB STOP] até que o indicador USB pare de piscar.

Não remova o dispositivo USB nem desligue a unidade enquanto o indicador USB estiver a piscar. Os dados de gestão da unidade poderão ser eliminados. O dispositivo USB poderá também tornar-se ilegível.



2 Desligue o dispositivo USB.

Reproduzir suportes ligados ou introduzidos na unidade

1 Carregue o suporte na unidade.

2 Toque em [USB].

As faixas ou pastas são exibidas numa lista.



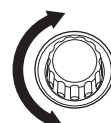
O conteúdo do suporte exibido no visor principal da unidade pode ser alternado.

- [USB]: Exibe o conteúdo do dispositivo USB e dispositivos móveis ligados.
- Quando tocar em [LINK], serão exibidos outros ficheiros de música no leitor de DJ.
- Quando tocar em [rekordbox], serão exibidos outros ficheiros de música no rekordbox.
- Se as informações da biblioteca rekordbox tiverem sido escritas no dispositivo USB, a biblioteca rekordbox é exibida.
 - ➔ Para obter informações sobre a navegação na biblioteca rekordbox, consulte o Manual de instruções deste produto publicado no site de suporte da Pioneer DJ.

3 Rode o seletor rotativo.

Mova o cursor e selecione o item.

- Prima o seletor rotativo e desloque-se para um nível inferior na pasta. Prima o botão [BACK] para regressar ao nível superior.



4 Selecione a faixa e prima o seletor rotativo.

Quando a faixa é carregada, o ecrã alterna para o ecrã de reprodução normal.

O suporte no qual a faixa está carregada pisca.

- ➔ Para obter informações sobre o ecrã de reprodução normal, consulte o Manual de instruções deste produto publicado no site de suporte da Pioneer DJ.

Para obter informações sobre outras operações, consulte o Manual de instruções deste produto publicado no site de suporte da Pioneer DJ.

Informações adicionais

Resolução de problemas

- Geralmente confunde-se uma operação incorreta com um problema ou mau funcionamento. Caso ache que existe algo de errado com este componente, consulte os pontos abaixo e as [FAQ] para o [XDJ-700] no site de suporte da Pioneer DJ.
<http://pioneerdj.com/support/>
Algumas vezes o problema está relacionado com outro componente. Inspeção os outros componentes e os aparelhos elétricos que estão a ser utilizados. Se o problema não pôde ser resolvido, peça à Assistência Técnica autorizada ou ao revendedor da Pioneer mais próximo para fazer o conserto.
- Esta unidade pode não funcionar corretamente devido a eletricidade estática ou outras influências externas. Neste caso, o funcionamento normal é reposto desligando a alimentação, aguardando 1 minuto e, em seguida, ligando novamente a alimentação.

Problema	Verificar	Solução
O ficheiro não consegue ser reproduzido.	O ficheiro está protegido por DRM?	Ficheiros com direitos de autor (copyright) protegidos não podem ser reproduzidos.
Não é produzido som ou o som é distorcido ou ruidoso.	Está a utilizar corretamente o misturador de DJ ligado?	Verifique o funcionamento do misturador de DJ.
	A unidade está colocada perto de uma televisão?	Desligue a televisão ou instale esta unidade e a televisão afastadas entre si.
As informações do ficheiro não são exibidas corretamente.	[LANGUAGE] está definido corretamente?	Defina [LANGUAGE] para o idioma correto.
	As informações estão gravadas num idioma não suportado por esta unidade?	Ao criar ficheiros utilizando software de DJ, etc., grave as informações num idioma suportado por esta unidade.
A operação de pesquisa por faixa demora muito tempo.	A função cue automático está ativada?	A pesquisa por faixa pode demorar algum tempo quando existem longas secções de silêncio entre faixas.
	—	Se a pesquisa por faixa não for possível dentro de 10 segundos, é definido um cue point no início da faixa.
A função cue anterior não funciona.	Está definido um cue point?	Defina um cue point.
A função de reprodução em loop não funciona.	Os loop points estão definidos?	Defina loop points.
As definições não são armazenadas na memória.	A alimentação foi desligada diretamente após alterar a definição?	Após alterar as definições, aguarde pelo menos 10 segundos antes de desligar a alimentação.
O dispositivo USB não é reconhecido.	O dispositivo USB está conectado corretamente?	Conecte bem o dispositivo (conecte-o até o fim).
	O dispositivo USB está conectado num hub USB?	Não podem ser utilizados hubs USB.
	O dispositivo USB é suportado por esta unidade?	Este leitor não é compatível com dispositivos USB de armazenamento de massa. Este aparelho é compatível com memória flash portátil e com dispositivos reprodutores de áudio digital.
	O formato de ficheiros é suportado por esta unidade?	Verifique o formato de ficheiros do dispositivo USB conectado. Para obter informações sobre os formatos de ficheiros suportados por esta unidade, consulte <i>Suportes que podem ser utilizados</i> na página 52.
	—	Desligue a alimentação e volte a ligá-la.
Os cue points ou loops não são armazenados num dispositivo USB.	Está a tentar armazenar mais pontos do que o limite?	É possível armazenar dez cue points ou loop points num dispositivo USB. Se tentar armazenar mais pontos do que o limite, [CUE/LOOPPOINT FULL] é exibido e os pontos não podem ser armazenados. Nesse caso, elimine alguns pontos antes de armazenar novos.
	O dispositivo USB está protegido contra escrita?	Se um dispositivo USB estiver protegido contra escrita, [USB FULL] é exibido e os pontos não podem ser armazenados. Desative a proteção contra escrita e, em seguida, armazene novamente os cue ou loop points.
	Existe espaço livre suficiente no dispositivo USB?	Se não existir espaço livre suficiente no dispositivo USB, [USB FULL] é exibido e os pontos não podem ser armazenados. Liberte algum espaço e, em seguida, armazene novamente os cue ou loop points.
Os cue ou loop points de faixas gravadas em dispositivos USB não são exibidos.	O dispositivo USB foi parado corretamente antes de ter sido desligado da última vez?	Os pontos podem não ser exibidos se o cartão de memória SD/dispositivo USB for removido sem efetuar o procedimento de paragem correto ou se a alimentação desta unidade for desligada. Certifique-se de que o indicador USB parou de piscar antes de remover o dispositivo USB ou desligar a unidade.
A reprodução não inicia imediatamente após pressionar o botão para reloop ou reprodução na direção invertida.	A função de quantificação está ligada?	Quando a função de quantificação está ligada, a reprodução inicia a partir da posição de batida mais próxima quando o botão é pressionado. Caso pretenda que a operação seja efetuada assim que o botão é pressionado, desative a função de quantificação.
O visor do endereço de reprodução não é apresentado no modo de tempo restante.	—	Quando reproduzir ficheiros gravados no formato VBR, pode ocorrer que o conjunto não consiga detetar imediatamente a duração da faixa e que seja necessário algum tempo até que o visor do endereço de reprodução seja exibido.
É necessário algum tempo para ler dispositivos USB (unidades de memória flash e discos rígidos).	Existe um número elevado de pastas e ficheiros gravados no dispositivo USB?	Quando existirem muitos ficheiros e pastas, o carregamento poderá demorar algum tempo.
	Existem outros ficheiros que não ficheiros de música armazenados no dispositivo USB?	Quando estão armazenados ficheiros que não ficheiros de música em pastas, é necessário algum tempo para serem lidos corretamente. Não armazene ficheiros nem pastas que não ficheiros de música no dispositivo USB.

Problema	Verificar	Solução
Não é possível procurar na biblioteca.	O suporte no qual as informações sobre a biblioteca estão gravadas está carregado?	O modo de exploração da biblioteca apenas é definido quando o suporte no qual as informações sobre a biblioteca estão gravadas é carregado. Quando é carregado um suporte no qual não estão gravadas quaisquer informações sobre a biblioteca, é definido o modo de pesquisa por pasta.
[HISTORY] não é exibido.	Existe um dispositivo USB ligado?	A função [HISTORY] apenas pode ser utilizada para leitores de DJ nos quais um dispositivo USB está carregado.
Não são exibidas quaisquer informações.	A função de espera automática está ativada?	Esta unidade é enviada com a função de espera automática ativada. Se não quiser utilizar a função de espera automática, defina [AUTO STANDBY] no menu [UTILITY] como [OFF].
A escala não é exibida.	A faixa tem mais de 15 minutos de duração?	A escala não é exibida para faixas cujo tempo de reprodução é superior a 15 minutos.
PRO DJ LINK não funciona corretamente.	Os números de leitor estão definidos corretamente?	Defina [PLAYER No.] como [AUTO] ou como um número diferente do número definido atualmente.
	O cabo LAN está ligado corretamente?	Ligue corretamente o cabo LAN ao terminal [LINK].
	A alimentação do hub de switching está ligada?	Ligue a alimentação do hub de switching.
	Existe um dispositivo desnecessário ligado ao hub de switching?	Desligue o dispositivo desnecessário do hub de switching.
Não existe resposta ao tocar no ecrã ou a resposta é incorreta. A posição tocada e a posição respondida são diferentes.	O ajuste da calibragem do ecrã tátil é divergente.	Ajuste o ecrã tátil utilizando as definições de [TOUCH DISPLAY CALIBRATION] no ecrã [UTILITY].

Mensagens de erro

Quando esta unidade não funcionar corretamente, é exibido um código de erro no visor. Verifique a tabela abaixo e proceda conforme indicado. Se for exibido um código de erro não apresentado na tabela abaixo, ou se for exibido novamente o mesmo código de erro após efetuar a ação indicada, contacte a loja onde adquiriu o produto.

Código de erro	Tipo de erro	Descrição do erro	Causa e ação
E-8302	CANNOT PLAY TRACK(****)	Não é possível ler corretamente os dados das faixas (ficheiros) no dispositivo USB.	Os dados da faixa (ficheiro) podem estar corrompidos. → Verifique se a faixa (ficheiro) pode ser reproduzida noutro leitor, etc., capaz de reproduzir os mesmos formatos desta unidade.
E-8304 E-8305	UNSUPPORTED FILE FORMAT	Foram carregados ficheiros de música que não podem ser reproduzidos normalmente.	Formato errado. → Substitua por ficheiros de música no formato correto.

Limpar o ecrã tátil

Não utilize solventes orgânicos, ácidos ou alcalinos para limpar a superfície do ecrã tátil. Limpe com um pano seco macio ou um pano humedecido com detergente neutro e devidamente espremido.

Acerca de marcas comerciais e marcas comerciais registadas

- Pioneer DJ é uma marca comercial da PIONEER CORPORATION e é utilizada sob licença. rekordbox é uma marca comercial registada da Pioneer DJ Corporation.
- Windows é uma marca comercial registada da Microsoft Corporation nos Estados Unidos da América e noutros países.
- Adobe e Reader são marcas comerciais registadas ou marcas comerciais da Adobe Systems Incorporated nos Estados Unidos da América e/ou noutros países.
- ASIO é uma marca comercial da Steinberg Media Technologies GmbH.
- As qualificações "Made for iPod" e "Made for iPhone" significam que um acessório eletrónico se destina a ser ligado especificamente a um iPod ou a um iPhone e que foi certificado pelo seu fabricante como correspondendo às normas de desempenho da Apple. A Apple não se responsabiliza pelo funcionamento deste dispositivo ou pela sua conformidade com os padrões de segurança e normativos. Tenha em atenção que a utilização deste acessório com o iPod ou iPhone pode afetar o desempenho da função sem fios.



- iPod, iPhone, Mac, e Mac OS são marcas registadas da Apple Inc., registadas nos E.U.A e outros países.
- Android™ é uma marca comercial da Google Inc.
- iOS é uma marca comercial da qual a Cisco detém o direito de marca comercial nos EUA e em determinados países.
- This software is based in part on the work of the Independent JPEG Group.
- O software nesta unidade utiliza em parte software do Independent JPEG Group.

Acerca da utilização de ficheiros MP3

Este produto foi licenciado para utilização não lucrativa. Este produto não foi licenciado para fins comerciais (para utilização geradora de lucro), tais como transmissão (terrestre, por satélite, cabo ou outros tipos de difusão), transferência na Internet, Intranet (uma rede empresarial) ou outros tipos de redes ou distribuição de informações eletrónicas (serviço de distribuição de música digital online). Deverá adquirir as respetivas licenças para tais utilizações. Para obter mais informações, consulte <http://www.mp3licensing.com>.

- Os nomes de empresas e produtos aqui mencionados são marcas comerciais dos seus respetivos proprietários.

Cuidados a ter relativamente aos direitos de autor

O rekordbox restringe a reprodução e duplicação de conteúdos de música protegidos por direitos de autor.

- Quando existirem dados codificados, etc., para proteger os direitos de autor integrados nos conteúdos de música, pode não ser possível utilizar o programa normalmente.
- Quando o rekordbox deteta que nos conteúdos de música estão integrados dados codificados, etc., para proteger os direitos de autor, o processamento (reprodução, leitura, etc.) pode ser interrompido.

As gravações que fizer são para fruição pessoal e de acordo com as leis de direitos de autor não podem ser utilizadas sem o consentimento do detentor dos direitos de autor.

- A música gravada a partir de CDs, etc., poderá estar protegida por leis de direitos de autor de países individuais, assim como por acordos internacionais. É da inteira responsabilidade da pessoa que gravou a música garantir que é utilizada legalmente.
- Ao manusear músicas transferidas a partir da Internet, etc., é da inteira responsabilidade da pessoa que transferiu a música garantir que é utilizada de acordo com o contrato celebrado com o site a partir do qual fez as transferências.

Especificações

Transformador de CA

Energia.....	CA 100 V a 240 V, 50 Hz/60 Hz
Corrente nominal	0,6 A
Saída nominal	CC 12 V, 2 A
Consumo de energia (em espera).....	0,5 W

Geral – Unidade principal

Consumo de energia.....	CC 12 V, 1200 mA
Peso da unidade principal.....	2,0 kg
(Com a base desinstalada)	1,7 kg
Dimensões externas	238 mm (L) × 106,3 mm (A) × 307,8 mm (P)
(Com a base desinstalada)	238 mm (L) × 78,8 mm (A) × 307,8 mm (P)
Temperatura operacional tolerada	+5 °C a +35 °C
Humidade operacional tolerada	5 % a 85 % (sem condensação)

Saída de áudio analógica (AUDIO OUT L/R)

Terminais de saída.....	Terminal RCA
Nível de saída	2,0 Vrms (1 kHz)
Frequência de resposta	4 Hz a 20 Hz
Relação sinal/ruído.....	115 dB
Distorção total de harmónicas.....	0,003 %

Secção USB downstream (USB)

Porta	Tipo A
Fonte de alimentação	5 V/1 A ou menos

Secção de upstream USB (USB)

Porta	Tipo B
-------------	--------

LAN (PRO DJ LINK)

Classificação	100Base-TX
---------------------	------------

Visor principal

Tipo de visor.....	Visor de cristais líquidos (LCD) TFT de matriz ativa
Idiomas suportados	18 idiomas

- As especificações e design deste produto estão sujeitos a alterações sem aviso prévio.
- © 2015 Pioneer DJ Corporation. Todos os direitos reservados.

Благодарим вас за покупку данного изделия Pioneer DJ. Пожалуйста, внимательно изучите данные инструкции по эксплуатации для надлежащего использования данной модели. По завершению изучения инструкций, храните их в надежном месте для справок в будущем. В некоторых странах или регионах форма вилки питания и розетки может иногда отличаться от того, что отображено на иллюстрациях. Однако способ подключения и работы аппарата остается неизменным.

ВНИМАНИЕ

ВО ИЗБЕЖАНИЕ ПОРАЖЕНИЯ ЭЛЕКТРИЧЕСКИМ ТОКОМ НЕ СНИМАЙТЕ КРЫШКУ (ИЛИ ЗАДНЮЮ СТЕНКУ). ВНУТРИ НЕ СОДЕРЖАТСЯ ДЕАТЛИ, ПРЕДНАЗНАЧЕННЫЕ ДЛЯ РЕМОНТА ПОЛЬЗОВАТЕЛЕМ. ДЛЯ ОБСЛУЖИВАНИЯ ОБРАТИТЕСЬ К КВАЛИФИЦИРОВАННОМУ СОТРУДНИКУ СЕРВИСНОЙ СЛУЖБЫ.

D3-4-2-1-1_B1_Ru

ПРЕДУПРЕЖДЕНИЕ

Данное оборудование не является водонепроницаемым. Во избежание пожара или поражения электрическим током не помещайте рядом с оборудованием емкости с жидкостями (например, вазы, цветочные горшки) и не допускайте попадания на него капель, брызг, дождя или влаги.

D3-4-2-1-3_A1_Ru

ПРЕДУПРЕЖДЕНИЕ

Во избежание пожара не приближайте к оборудованию источники открытого огня (например, зажженные свечи).

D3-4-2-1-7a_A1_Ru

ОБЯЗАТЕЛЬНАЯ ВЕНТИЛЯЦИЯ

При установке устройства обеспечьте достаточное пространство для вентиляции во избежание повышения температуры внутри устройства (не менее 5 см сзади и по 5 см слева и справа).

D3-4-2-1-7d*_A1_Ru

Условия эксплуатации

Изделие эксплуатируется при следующих температуре и влажности:

+5 °C до +35 °C; влажность менее 85 % (не заслоняйте охлаждающие вентиляторы)

Не устанавливайте изделие в плохо проветриваемом помещении или в месте с высокой влажностью, открытом для прямого солнечного света (или сильного искусственного света).

D3-4-2-1-7c*_A1_Ru

Данное изделие соответствует стандартам по электромагнитному шуму, когда он подключен к другому оборудованию через экранированные кабели и коннекторы.

Используйте только поставляемые кабели для подключения аксессуаров.

D44-8-2_A1_Ru



Если вы желаете утилизировать данное изделие, не выбрасывайте его вместе с обычным бытовым мусором. Существует отдельная система сбора использованных электронных изделий в соответствии с законодательством, которая предполагает соответствующее обращение, возврат и переработку.


Частные клиенты в странах-членах ЕС, в Швейцарии и Норвегии могут бесплатно возвращать использованные электронные изделия в соответствующие пункты сбора или дилеру (при покупке сходного нового изделия).

В странах, не перечисленных выше, для получения информации о правильных способах утилизации обращайтесь в соответствующие учреждения.

Поступая таким образом, вы можете быть уверены в том, что утилизируемый продукт будет соответствующим образом обработан, передан в соответствующий пункт и переработан без возможных негативных последствий для окружающей среды и здоровья людей.

K058b_A1_Ru

ВНИМАНИЕ

Выключатель  данного устройства не полностью отключает его от электросети. Чтобы полностью отключить питание устройства, вытащите вилку кабеля питания из электророзетки. Поэтому устройство следует устанавливать так, чтобы вилку кабеля питания можно было легко вытащить из розетки в чрезвычайных обстоятельствах. Во избежание пожара следует извлекать вилку кабеля питания из розетки, если устройство не будет использоваться в течение долгого времени (например, если вы уезжаете в отпуск).

D3-4-2-2-2a*_A1_Ru

При использовании данного изделия, прочтите информацию по мерам безопасности на нижней стороне аппарата.

D3-4-2-2-4_B1_Ru

Данное изделие предназначено для использования в общих хозяйственных целях. В случае возникновения любой неисправности, связанной с использованием в других, нежели хозяйственных целях (таких, как длительное использование в коммерческих целях в ресторане или в автомобиле, или на корабле) и требующей ремонта, такой ремонт осуществляется за плату, даже в течение гарантийного срока.

K041_A1_Ru

МЕРЫ ПРЕДОСТОРОЖНОСТИ ПРИ ОБРАЩЕНИИ С СЕТЕВЫМ ШНУРОМ

Держите сетевой шнур за вилку. Не вытаскивайте вилку, взявшись за шнур, и никогда не касайтесь сетевого шнура, если Ваши руки влажные, так как это может привести к короткому замыканию или поражению электрическим током. Не ставьте аппарат, предметы мебели и т.д. на сетевой шнур, не зажимайте его. Не завязывайте узлы на шнуре и не связывайте его с другими шнурами. Сетевые шнуры должны лежать так, чтобы на них не наступило. Поврежденный сетевой шнур может стать причиной возникновения пожара или поразить Вас электрическим током. Время от времени проверяйте сетевой шнур. В случае обнаружения повреждения обратитесь за заменой в ближайший сервисный центр или к Вашему дилеру.

5002*_A1_Ru

Перед началом работы

Как следует читать данное руководство

Благодарим Вас за покупку этого изделия компании Pioneer DJ. Обязательно прочтите данную брошюру и инструкции по эксплуатации! В обеих документах содержится важная информация, которую требуется изучить до использования данного изделия. По завершению изучения инструкций, храните их в надежном месте для справок в будущем.

- Подробнее о том, как получить инструкции по эксплуатации смотрите *Получение Инструкций по эксплуатации данного аппарата* (стр. 59).

Свойства

Мы представляем DJ-проигрыватель с технологией международного стандарта для клубных устройств воспроизведения, используемой в моделях Pioneer CDJ. Теперь DJ-обработка возможна не только для дорожек, сохраненных на устройствах USB и компьютерах, но также и для дорожек на мобильных устройствах (смартфонах и др.). Он не только оснащен широким спектром функций для DJ-обработки, включая функции PRO DJ LINK, квантования и синхронизации битов, но также обладает надежной конструкцией, а компоновка панели гарантирует высокое удобство управления, тем самым открывая широкие возможности для всех типов DJ-обработки.

Получение Инструкций по эксплуатации данного аппарата

Различные инструкции иногда имеются в виде файлов в формате PDF. Для просмотра файлов в формате PDF требуется установить Adobe® Reader®.

1 Запустите веб-браузер на компьютере и зайдите на сайт поддержки Pioneer DJ ниже.

<http://pioneerdj.com/support/>

2 На сайте поддержки Pioneer DJ щелкните по [Manuals] в [XDJ-700].

3 Щелкните по требуемому языку на странице загрузки.

Запускается загрузка инструкций по эксплуатации.

Комплект поставки

- Силовой кабель
- Аудиокабель × 1 шт.
- Кабель LAN × 1 шт.
- Адаптер переменного тока × 1 шт.
- Гарантия × 1 шт.
- Инструкция по эксплуатации (Краткое руководство пользователя) (этот документ) × 1 шт.

Подготовка программного обеспечения

Программное обеспечение для управления музыкой rekordbox и драйвер не входят в комплект.

Требуемое программное обеспечение rekordbox и драйвер можно загрузить на сайте поддержки rekordbox Pioneer DJ.

- Пользователь обязан подготовить компьютер, сетевые устройства и другие элементы среды использования Интернет, требующиеся для подключения к Интернет.

О rekordbox

rekordbox – это сложное программное обеспечение, которое открывает возможности управления дорожками и DJ-обработки. Создать высококлассные эффекты DJ-обработки можно за счет управления музыкальными файлами на rekordbox и этом проигрывателе.

❖ Приобретение rekordbox (Mac/Windows)

1 Откройте в браузере на своем компьютере сайт rekordbox.

<http://rekordbox.com/>

2 Нажмите на сайте rekordbox кнопку [Download] и со страницы загрузки загрузите файл rekordbox.

- Для справок по rekordbox (Mac/Windows), пожалуйста, смотрите сайт поддержки, обозначенный выше.

❖ О rekordbox (iOS/Android)

Можно воспроизводить управляемые через rekordbox (iOS/Android) дорожки, подключив мобильное устройство с установленным rekordbox (iOS/Android) через USB. Информацию по поддерживаемым устройствам смотрите на вебсайте Pioneer DJ (<http://pioneerdj.com/support/>). Инструкции к rekordbox (iOS/Android) смотрите в руководстве пользователя к rekordbox (iOS/Android).

- Подробнее об установке rekordbox (iOS/Android) смотрите вебсайт Pioneer DJ (<http://rekordbox.com/>).

О программном драйвере (Windows)

Данный программный драйвер является эксклюзивным драйвером ASIO для вывода аудиосигналов от компьютера.

- При использовании Mac OS X нет необходимости устанавливать программный драйвер.

❖ Как получить драйвер

1 Запустите веб-браузер на компьютере и зайдите на сайт поддержки Pioneer DJ ниже.

<http://pioneerdj.com/support/>

2 Щелкните по [Software Download] в [XDJ-700] на сайте поддержки Pioneer DJ.

3 Щелкните по значку драйвера, чтобы загрузить его со страницы загрузки.

- Подробную информацию об установке программного обеспечения драйвера см. на сайте поддержки Pioneer DJ.

Используемые носители

Данный аппарат совместим с устройствами USB, относящимися к запоминающим устройствам USB большой емкости, такими как флэш-память мобильных устройств и цифровые аудиоплееры.

Поддерживаемые
файловые системы FAT16, FAT32 и HFS+ (NTFS не поддерживается.)

- По USB-интерфейсу можно сохранить точки меток, точки петель и метки быстрого доступа.
- В зависимости от используемого устройства USB ожидаемая производительность может быть недостижима.
- Нет гарантии, что все устройства USB будут срабатывать на данном аппарате.

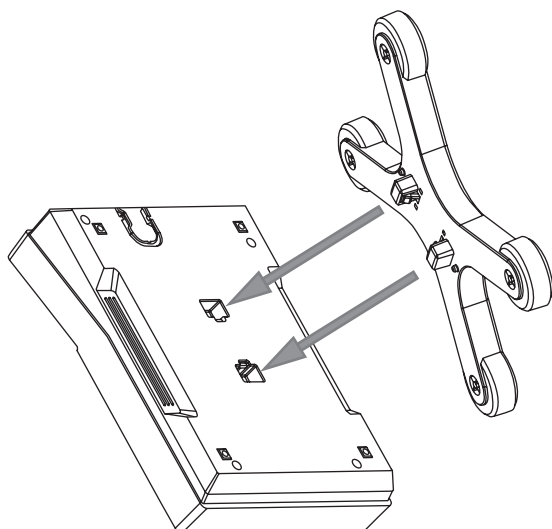
Для получения дополнительной информации см. инструкцию по эксплуатации этого устройства, размещенную на сайте поддержки Pioneer DJ.

Установка на подставку

Это устройство легко устанавливается на подставку и снимается с нее. В случае расположения этого устройства рядом с DJ-проигрывателями или DJ-микшерами предыдущих версий, за счет установки проигрывателя на стойке можно отрегулировать его высоту относительно остальных рабочих панелей.

Установка

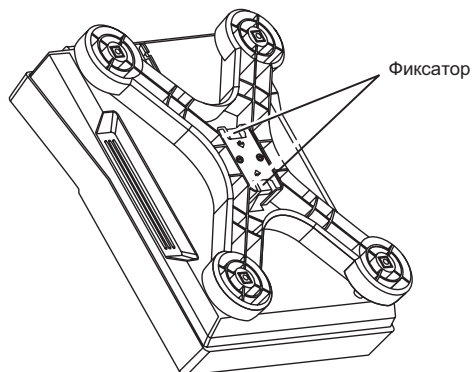
- 1 Вставьте выступы на подставке в направляющие отверстия на нижней стороне проигрывателя.
- 2 Прижмите подставку, чтобы она встала на место с характерным щелчком.
- 3 Убедитесь, что два фиксатора надежно удерживают это устройство.



Снятие

- 1 Откройте два расположенных внизу стойки фиксатора, переместите их вовнутрь.

- 2 Уберите подставку.



ПРЕДОСТЕРЕЖЕНИЕ

Во время открывания фиксаторов и снятия подставки будьте особенно осторожны, так как существует вероятность уронить устройство. Снимая подставку, надежно удерживайте проигрыватель.

Подключения

- При выполнении или изменении подключений, обязательно отключите питание и отсоедините силовой кабель от розетки.
- Смотрите инструкции по эксплуатации к подключаемому компоненту.
- После завершения всех подключений между устройствами подключите силовой кабель.

- Если для подключения используется LAN кабель, то следует использовать поставляемый с данным изделием LAN кабель или STP (экранированная витая пара) кабель.
- Не отсоединяйте LAN кабель, если музыкальные файлы и/или информация используется совместно через PRO DJ LINK.

Основной стиль

Воспроизведение на данном аппарате выполняется в основном с использованием дорожек, подготовленных с помощью установленного на компьютере rekordbox.

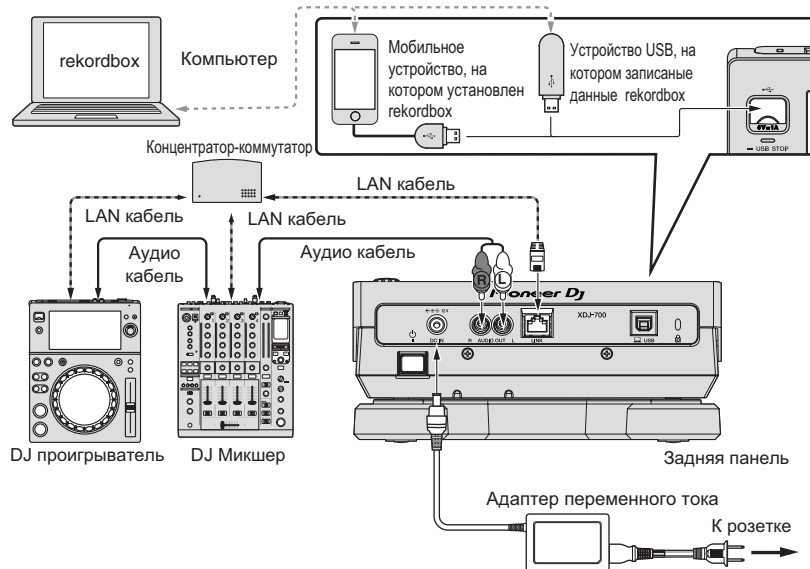
- Подробнее об управлении rekordbox смотрите инструкции по эксплуатации к rekordbox (Mac/Windows). Инструкции по эксплуатации к rekordbox (Mac/Windows) можно увидеть через меню rekordbox (Mac/Windows) [Help].
- Также, с помощью подключения PRO DJ LINK, для DJ проигрывателей и DJ микшеров можно подключить до четырех совместимых с PRO DJ LINK проигрывателей, используя LAN кабели (CAT5e).
- В зависимости от используемой комбинации моделей может потребоваться концентратор-коммутатор (продается отдельно). Используйте концентратор-коммутатор на 100 Мбит/с или больше. Некоторые концентратор-коммутаторы могут не срабатывать соответствующим образом.

Концентратор-коммутатор (продается отдельно) необходим для подключения микшера, оборудованного только одним LAN портом.

Если микшеры оборудованы количеством LAN портов, достаточным для всех DJ проигрывателей и компьютеров в системе, подключите напрямую к LAN портам на задней панели микшера без использования концентратора.

PRO DJ LINK (Экспорт USB)

- Можно обмениваться музыкальными файлами и данными rekordbox с данным аппаратом с помощью устройства памяти (устройство флэш-памяти, жесткий диск, др.), исключив необходимость переноса компьютера в кабину DJ. Для воспроизведения можно использовать установленную заранее с помощью rekordbox информацию, как списки воспроизведения, метки, петли и метки быстрого доступа.



Предостережения

Для максимального использования функций управления музыкальными файлами rekordbox сопоставьте номер проигрывателя каналу аудиокабеля, подключенного к микшеру.

Если номер проигрывателя отличается, переключите настройку [PLAYER No.] на экране [UTILITY].

➔ Сведения об изменении настроек экрана [UTILITY] см. в инструкции по эксплуатации этого устройства, размещенной на сайте поддержки Pioneer DJ.

- При подключении устройства хранения к данному аппарату [PLAYER No.] отображается серым и не может изменяться. Отсоедините устройство хранения или LAN кабель и отмените подключение, затем переключите настройку.

Управление

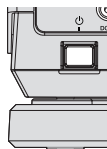
Включение питания

1 Выполните все подключения, затем подключите силовой кабель к розетке.

⇒ Подключения (стр.61)

2 Нажмите переключатель [ON].

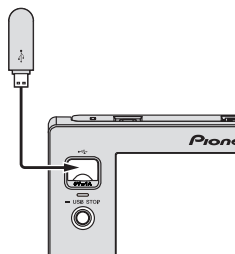
Высвечиваются индикаторы данного аппарата и включается питание.



Подключение устройств USB

1 Нажав переключатель [ON], включите питание данного аппарата.

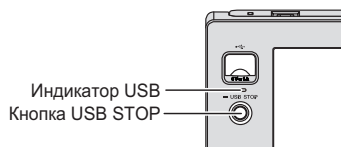
2 Подключите устройство USB к установочному слоту устройства USB.



Отсоединение устройств USB

1 Нажмите и удерживайте кнопку [USB STOP], пока индикатор USB не перестанет мигать.

Не извлекайте устройства USB и не выключайте питание оборудования, пока мигает индикатор USB. Данные менеджмента в оборудовании могут быть удалены. Кроме того, устройства USB может стать не доступным.



2 Отсоедините устройство USB.

Воспроизведение подключенного или вставленного в данный аппарат носителя

1 Загрузите носитель в данный аппарат.

2 Нажмите [USB].

Дорожки или папки отображаются в виде списка.



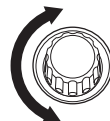
Можно выбрать содержимое носителя, которое должно быть отображено на дисплее основного блока.

- [USB]: Отображается содержимое подключенного устройства USB и мобильных устройств.
- При нажатии [LINK] будут отображены другие музыкальные файлы DJ-проигрывателя.
- При нажатии [rekordbox] будет отображены музыкальные файлы rekordbox.
- Если на устройстве USB была записана информация библиотеки rekordbox, то отображается библиотека rekordbox.
 - ⇒ Для получения дополнительной информации о просмотре библиотеки rekordbox см. инструкцию по эксплуатации этого устройства, размещенную на сайте поддержки Pioneer DJ.

3 Поверните поворотный селектор.

Переместите курсор и выберите параметр.

- Нажмите поворотный селектор и переместитесь на нижний уровень в папке. Для возврата на верхний уровень нажмите кнопку [BACK].



4 Выберите дорожку и нажмите поворотный селектор.

После загрузки дорожки экран переключается на экран обычного воспроизведения.

Мигает носитель, на котором загружена дорожка.

- ⇒ Для получения дополнительной информации об экране обычного воспроизведения см. инструкцию по эксплуатации этого устройства, размещенную на сайте поддержки Pioneer DJ.

Для получения дополнительной информации о других операциях см. инструкцию по эксплуатации этого устройства, размещенную на сайте поддержки Pioneer DJ.

Дополнительная информация

Возможные неисправности и способы их устранения

- Зачастую неправильное срабатывание ошибочно воспринимается за неполадку или неисправность. Если вы думаете, что с данным компонентом что-то не так, проверьте пункты ниже, а также [FAQ] для [XDJ-700] на сайте поддержки Pioneer DJ.
<http://pioneerdj.com/support/>
В некоторых случаях неполадка может заключаться на другом компоненте. Проверьте другие компоненты, а также используемые электроприборы. Если проблему невозможно решить, обратитесь в ближайший авторизованный сервисный центр Pioneer или к дилеру для проведения ремонта.
- Данный аппарат может не срабатывать соответствующим образом по причине статического электричества или по другим внешним причинам. В таком случае, обычную работу можно возобновить, отключив питание, обождав 1 минуту и затем снова включив питание.

Неисправность	Проверьте	Способ устранения
Файл не может воспроизводиться.	Файл с защитой авторских прав (по системе DRM)?	Файлы с защитой авторских прав не могут воспроизводиться.
Звучание не выводится, или звучание искажено или содержит шум.	Управляется ли подключенный DJ микшер соответствующим образом?	Проверьте управление DJ микшера.
	Не расположен ли данный аппарат возле телевизора?	Отключите питание телевизора или установите данный аппарат и телевизор подальше друг от друга.
Файловая информация не отображается соответствующим образом.	Установлен ли [LANGUAGE] соответствующим образом?	Установите [LANGUAGE] на соответствующий язык.
	Не записана ли информация на языке, который не поддерживается на данном аппарате?	При создании файлов с помощью программного обеспечения DJ, др., записывайте информацию на языке, поддерживаемом на данном аппарате.
Слишком много времени занимает операция поиска дорожки.	Не включена ли функция автоматической петли?	Поиск дорожки может занимать некоторое время, когда между дорожками содержатся длинные беззвучные разделы.
	—	Если поиск дорожки недоступен в течение 10 секунд, точка метки устанавливается на начало дорожки.
Функция возврата к метке не срабатывает.	Установлена ли точка метки?	Установите точку метки.
Функция воспроизведения петли не срабатывает.	Установлены ли точки петель?	Установите точки петель.
Настройки не сохраняются в памяти.	Не было ли отключено питание сразу после изменения настройки?	После изменения настройки подождите как минимум 10 секунд, и затем можно отключать питание.
Устройство USB не распознается.	Подключено ли устройство USB соответствующим образом?	Надежно подключите устройство (до конца).
	Подключено ли устройство USB через концентратор USB?	Концентраторы USB не могут использоваться.
	Поддерживается ли устройство USB на данном аппарате?	Данный проигрыватель поддерживает только запоминающие устройства USB большой емкости. Данный проигрыватель поддерживает переносные флэш-карты памяти и цифровые аудиовоспроизводящие устройства.
	Поддерживается ли формат файла на данном аппарате?	Проверьте формат файла подключенного устройства USB. По форматам файлов, поддерживаемым на данном аппарате смотрите <i>Используемые носители</i> на стр. 60.
	—	Отключите питание, затем снова включите его.
Точки меток или петель не сохраняются на устройстве USB.	Не пытаетесь ли вы сохранить точек больше, чем разрешено?	На USB-устройстве можно сохранить десять точек меток или петель для одной дорожки. При попытке сохранения более разрешенного количества точек отображается [CUE/LOOPPOINT FULL] и точки не могут быть сохранены. В таком случае, перед сохранением новых точек удалите некоторые старые точки.
	Подключено ли защищенное от записи устройство USB?	Если устройство USB защищено от записи, отображается [USB FULL] и точки не могут быть сохранены. Отмените защиту от записи, затем снова сохраните точки меток или петель.
	Имеется ли на устройстве USB достаточно свободного пространства?	Если на устройстве USB недостаточно свободного пространства, отображается [USB FULL] и точки не могут быть сохранены. Освободите некоторое пространство, затем снова сохраните точки меток или петель.
Точки метки или петли дорожек, записанные на устройствах USB, не отображаются.	Было ли устройство USB приостановлено надлежащим образом перед последним отсоединением?	Точки могут не отображаться, если карта памяти SD/устройство USB было извлечено без выполнения соответствующей процедуры остановки или если питание данного аппарата отключено. Перед извлечением устройства USB или выключением питания оборудования убедитесь, что индикатор USB прекратил мигать.
Воспроизведение не запускается сразу-же после нажатия кнопки для возврата в петлю или реверсного воспроизведения.	Не включена ли функция квантования?	Когда включена функция квантования, воспроизведение запускается с позиции ближайшего удара в момент нажатия кнопки. Если нужно, чтобы операция производилась незамедлительно при нажатии кнопки, то отключите функцию квантования.
Дисплей адреса воспроизведения не отображается в режиме оставшегося времени.	—	При воспроизведении файлов, записанных в режиме VBR, аппарат может не сразу определять длину дорожки, и на отображение дисплея адреса воспроизведения требуется некоторое время.

Неисправность	Проверьте	Способ устранения
На чтение устройств USB уходит время (устройства флэш-памяти или жесткие диски).	Не содержится ли на устройстве USB большое количество папок или файлов?	Когда имеется много папок или файлов, на загрузку будет уходить некоторое время.
	Не содержится ли на устройстве USB других видов файлов, кроме музыкальных файлов?	Если в папке содержатся другие виды файлов, кроме музыкальных файлов, на их чтение также уходит время. Не храните файлы или папки на устройстве USB, кроме музыкальных файлов.
Просмотр библиотеки невозможен.	Загружен ли носитель, на котором содержится информация библиотеки?	Режим просмотра библиотеки устанавливается только при загрузке носителя, на котором содержится информация библиотеки. При загрузке носителя, на котором нет информации библиотеки, устанавливается режим просмотра папки.
[HISTORY] не отображается.	Подключено ли устройство USB?	Функция [HISTORY] может только использоваться для DJ проигрывателей, к которым подключено устройство USB.
Ничего не отображается.	Не включена ли функция автоматического режима ожидания?	Данный аппарат отгружается с включенной функцией автоматического режима ожидания. Если нет необходимости в использовании функции автоматического режима ожидания, установите [AUTO STANDBY] в меню [UTILITY] на [OFF].
Не отображается шкала.	Не превышает ли продолжительность дорожки 15 минут?	Шкала не отображается для дорожек, время воспроизведения которых превышает 15 минут.
PRO DJ LINK не срабатывает соответствующим образом.	Правильно ли установлены номера проигрывателей?	Установите [PLAYER No.] на [AUTO] или на номер, отличный от текущего установленного номера.
	Подключен ли LAN кабель соответствующим образом?	Подключите LAN кабель к терминалу [LINK] соответствующим образом.
	Включено ли питание концентратора-коммутатора?	Включите питание концентратора-коммутатора.
Не отображается шкала.	Не подключено ли к концентратору-коммутатору ненужное устройство?	Отсоедините ненужное устройство от концентратора-коммутатора.
	Неправильная настройка калибровки сенсорного экрана.	Отрегулируйте сенсорный экран с помощью настроек [TOUCH DISPLAY CALIBRATION] на экране [UTILITY].
Реакция на прикосновение к экрану отсутствует или неправильная. Позиция срабатывания отличается от фактического места касания.	Неправильная настройка калибровки сенсорного экрана.	Отрегулируйте сенсорный экран с помощью настроек [TOUCH DISPLAY CALIBRATION] на экране [UTILITY].

Сообщения об ошибках

В случае некорректной работы устройства на экране появится код ошибки. В таблице ниже приведено описание ошибок и возможные варианты их устранения. Если код ошибки не указан в таблице ниже, или если после выполнения указанного действия отображается тот же код ошибки, обратитесь к своему продавцу.

Код ошибки	Тип ошибки	Описание ошибки	Причина и действие
E-8302	CANNOT PLAY TRACK(****)	Невозможно правильно считать данные дорожек (файлы) на устройстве USB.	Данные дорожки (файл) могут быть повреждены. → Проверьте, может ли дорожка (файл) воспроизводиться на другом проигрывателе, др., который может воспроизводить те же форматы, что и данный аппарат.
E-8304 E-8305	UNSUPPORTED FILE FORMAT	Загружены музыкальные файлы, которые не могут воспроизводиться как обычно.	Неправильный формат. → Замените на музыкальные файлы в соответствующем формате.

Очистка сенсорного экрана

Не применяйте органические растворители, кислоты или щелочи для чистки поверхности сенсорного дисплея. Протрите его сухим мягким материалом или тканью, смоченной нейтральным чистящим раствором и хорошо выжатой.

О торговых марках и зарегистрированных торговых марках

- “Pioneer DJ” является зарегистрированным товарным знаком корпорации PIONEER CORPORATION и используется по лицензии. rekordbox является зарегистрированной торговой маркой Pioneer DJ Corporation.
- Windows является зарегистрированной торговой маркой Microsoft Corporation в Соединенных Штатах Америки и в других странах.
- Adobe и Reader являются зарегистрированными торговыми марками или торговыми марками Adobe Systems Incorporated в США и/или других странах.
- ASIO является торговой маркой Steinberg Media Technologies GmbH.
- “Made for iPod” и “Made for iPhone” означает, что электронный прибор был разработан с целью подключения определенно к

iPod или iPhone соответственно, и имеется сертификация разработчика о соответствии с техническими характеристиками Apple. Apple не несет ответственности за работу данного устройства или его соответствие со стандартами по технике безопасности или регулятивными нормами. Пожалуйста, обратите внимание, что использование данного прибора с iPod или iPhone может отрицательно сказываться на качестве беспроводной связи.



- iPod, iPhone, Mac, и Mac OS являются торговыми марками компании Apple Inc., зарегистрированными в США и других странах.
 - Android™ является торговой маркой Google Inc.
 - iOS является торговой маркой, право на торговую марку которой в США и определенных других странах принадлежит Cisco.
 - This software is based in part on the work of the Independent JPEG Group.
- Установленное на данном аппарате программное обеспечение частично использует программное обеспечение, принадлежащее Independent JPEG Group.

Об использовании файлов MP3

Данное изделие было лицензировано для бесприбыльного использования. Данное изделие не было лицензировано для коммерческих целей (с целью извлечения прибыли) как трансляции (трансляции наземного, спутникового, кабельного или другого типа), потоковой трансляции через Интернет, Интранет (корпоративная сеть) или другие типы сетей или средства распространения электронной информации (услуга по распространению цифровой музыки в сети). Для таких видов использования требуется получить соответствующие лицензии. Подробнее, посетите <http://www.mp3licensing.com>.

- Указанные здесь названия компаний и изделий являются торговыми марками их соответствующих владельцев.

Предупреждения по авторским правам

rekordbox ограничивает воспроизведение и копирование музыкального материала, защищенного от копирования.

- Если в музыкальном материале содержатся закодированные данные, др., для защиты авторских прав, может быть невозможно управлять программой как обычно.
- Когда rekordbox обнаруживает такие закодированные в музыкальном материале данные, др., для защиты авторских прав, обработка (воспроизведение, чтение, др.) может приостановиться.

Выполненные вами записи предназначены для вашего личного удовольствия и по законам о защите авторских прав не могут использоваться без согласия владельца авторских прав.

- Музыка, записанная на CD дисках, др., защищается законами о защите авторских правах отдельных стран и международными соглашениями. Ответственность за легальное использование записанной музыки полностью лежит на человеке, выполнявшем запись.
- При обращении с музыкой, загруженной с Интернета, др., загрузивший музыку человек несет полную ответственность за использование музыки в соответствии с контрактом, заключенным с сайтом загрузки.

Технические характеристики

Адаптер переменного тока

Питание от 100 В до 240 В переменного тока, 50 Гц/60 Гц
Номинальный ток 0,6 А
Номинальный выход 12 В, 2 А пост. тока
Потребляемая мощность (в режиме ожидания) 0,5 Вт

Общий раздел – Основной блок

Энергопотребление 12 В, 1200 мА пост. тока
Вес основного аппарата 2,0 кг
(Без подставки) 1,7 кг
Внешние габариты 238 мм (Ш) × 106,3 мм (В) × 307,8 мм (Г)
(Без подставки) 238 мм (Ш) × 78,8 мм (В) × 307,8 мм (Г)
Допускаемая рабочая температура от +5 °С до +35 °С
Допускаемая рабочая влажность от 5 % до 85 % (без конденсации)

Аналоговый аудиовыход (AUDIO OUT L/R)

Выходной терминал Терминал RCA
Выходной уровень 2,0 Vrms (1 кГц)
Частотная характеристика от 4 Гц до 20 кГц
Соотношение сигнал/шум 115 дБ
Суммарный коэффициент гармоник 0,003 %

Раздел нисходящего потока USB (USB)

Порт Тип А
Источник питания 5 В/1 А или меньше

Раздел восходящего потока USB (USB)

Порт Тип В

LAN (PRO DJ LINK)

Допустимое значение 100Base-TX

Основной дисплей

Тип дисплея Жидкокристаллический дисплей (ЖК дисплей) с активной матрицей на тонкопленочных транзисторах
Поддерживаемые языки 18 языков

- Технические характеристики и конструкция данного изделия могут изменяться без уведомления.
- © Pioneer DJ Corporation, 2015. Все права защищены.

Примечание:

Корпорация Пайонир Диджей устанавливает следующую продолжительность срока службы официально поставляемых на Российский рынок товаров.

Аудио и видеооборудование: 7 лет

Переносное аудиооборудование: 6 лет

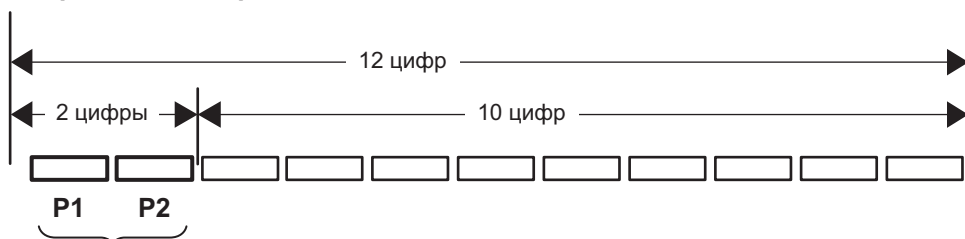
Другое оборудование (наушники, микрофон и т.д.): 5 лет

D3-7-10-6_A1_Ru

Информация для покупателей в ЕАЭС:

Уполномоченной организацией в соответствии с требованиями ТР ТС 004/2011, 020/2011, 017/2011 является ООО "ПИОНЕР РУС", Россия, 105064, г. Москва, Нижний Сусальный переулок, дом 5, строение 19, т. (495) 9568901

Дату изготовления оборудования можно определить по серийному номеру, который содержит информацию о месяце и годе производства.

Серийный номер

Дата изготовления оборудования

P1 - Год изготовления

Год	2001	2002	2003	2004	2005	2006	2007	2008	2009	2010
Символ	A	B	C	D	E	F	G	H	I	J

Год	2011	2012	2013	2014	2015	2016	2017	2018	2019	2020
Символ	K	L	M	N	O	P	Q	R	S	T

P2 - Месяц изготовления

Месяц	1	2	3	4	5	6	7	8	9	10	11	12
Символ	A	B	C	D	E	F	G	H	I	J	K	L

D3-7-10-7_A1_Ru

© 2015 Pioneer DJ Corporation.
All rights reserved.

© 2015 Pioneer DJ Corporation.
Tous droits de reproduction et de traduction réservés.

Pioneer DJ Corporation

1-1, Shin-ogura, Saiwai-ku, Kawasaki-shi, Kanagawa 212-0031, Japan

Корпорация Пайонир Диджей

1-1, Син-Огура, Сайвай-ку, г. Кавасаки, префектура Канагава, 212-0031, Япония

Pioneer DJ Europe Limited

Anteros Building, Odyssey Business Park, West End Road, South Ruislip, Middlesex, HA4 6QQ, U.K. TEL: 44-203-7617-220

Printed in / Imprimé

Сделано в Малайзии
<DRH1314-A>

